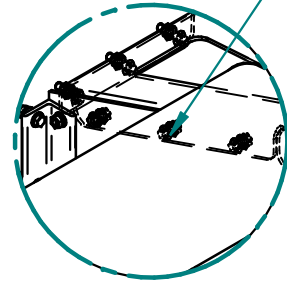


HOSE TUBE KIT, ADD ON, PS, 8" X 21'

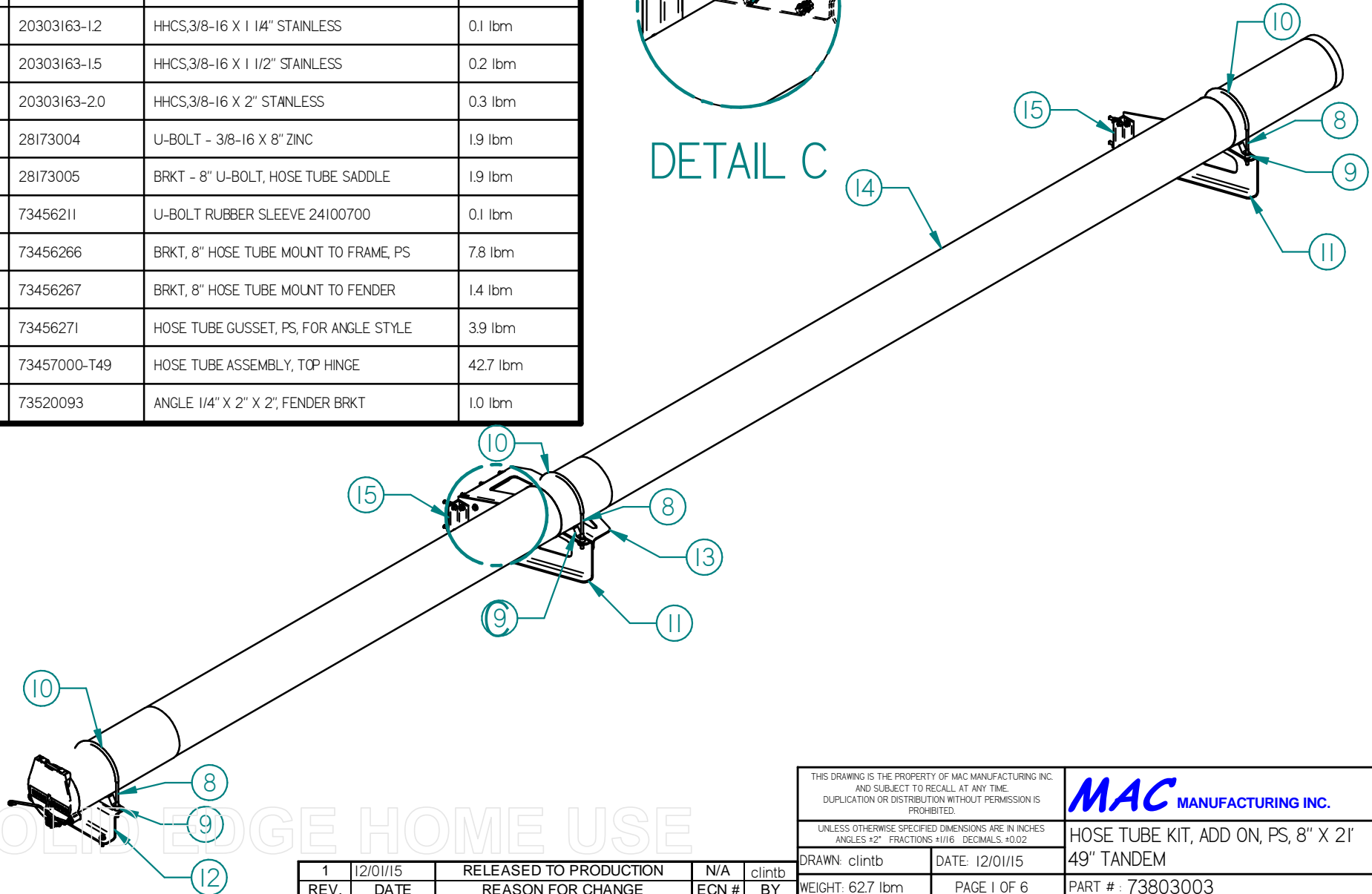
PART #: 73803003

ITEM	QTY.	PART No.	DESCRIPTION	WEIGHT
1	42	20103710	WASHER, 3/8" STAINLESS	0.3 lbm
2	24	20113710	WASHER LOCK, 3/8" STAINLESS	0.2 lbm
3	24	20203763	LOCK NUT, 3/8-16 STAINLESS	0.4 lbm
4	9	20303163-1.0	HHCS, 3/8-16 X 1" STAINLESS	0.5 lbm
5	2	20303163-1.2	HHCS, 3/8-16 X 1 1/4" STAINLESS	0.1 lbm
6	3	20303163-1.5	HHCS, 3/8-16 X 1 1/2" STAINLESS	0.2 lbm
7	4	20303163-2.0	HHCS, 3/8-16 X 2" STAINLESS	0.3 lbm
8	3	28173004	U-BOLT - 3/8-16 X 8" ZINC	1.9 lbm
9	3	28173005	BRKT - 8" U-BOLT, HOSE TUBE SADDLE	1.9 lbm
10	3	73456211	U-BOLT RUBBER SLEEVE 24100700	0.1 lbm
11	2	73456266	BRKT, 8" HOSE TUBE MOUNT TO FRAME, PS	7.8 lbm
12	1	73456267	BRKT, 8" HOSE TUBE MOUNT TO FENDER	1.4 lbm
13	1	73456271	HOSE TUBE GUSSET, PS, FOR ANGLE STYLE	3.9 lbm
14	1	73457000-T49	HOSE TUBE ASSEMBLY, TOP HINGE	42.7 lbm
15	2	73520093	ANGLE 1/4" X 2" X 2", FENDER BRKT	1.0 lbm



DETAIL C

USE 73456271 AS TEMPLATE TO DRILL 73456266 WITH A 7/16" BIT IN 5 LOCATIONS. BOLT TOGETHER WITH LISTED HARDWARE.



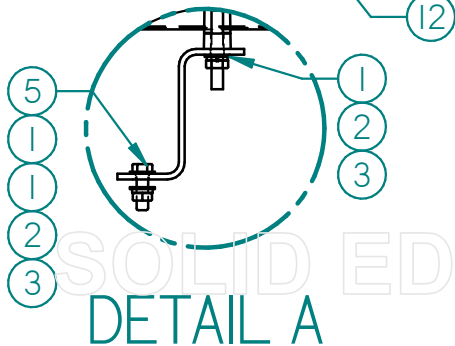
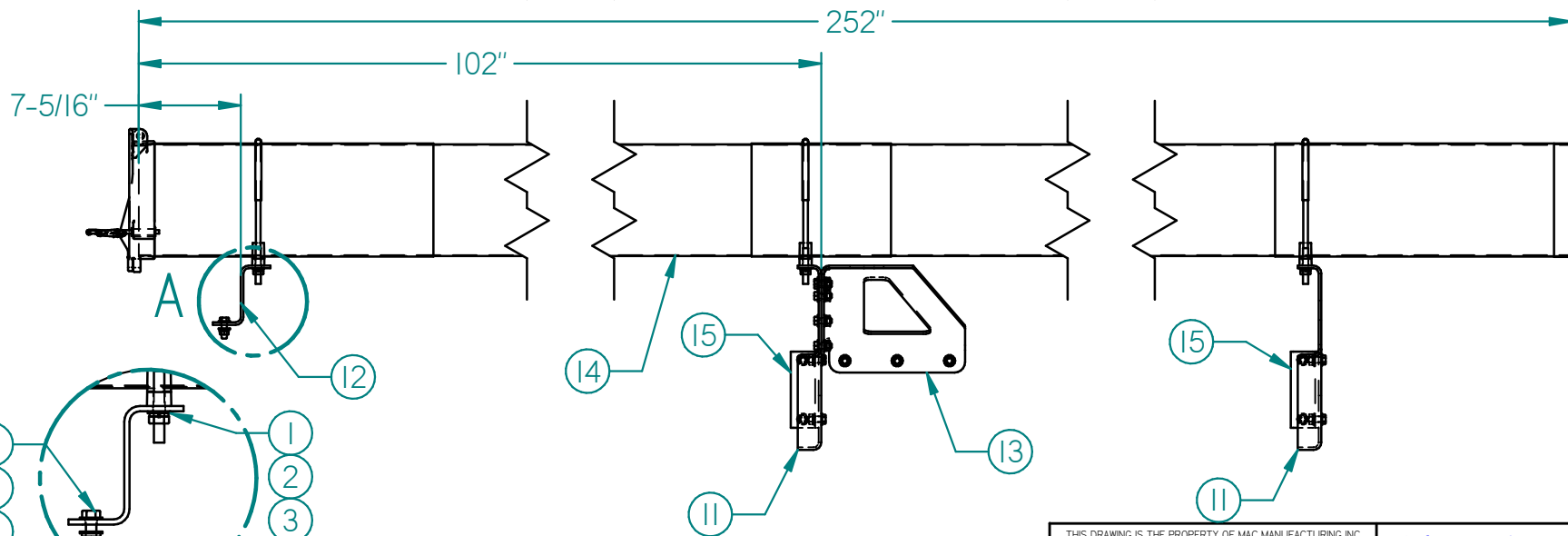
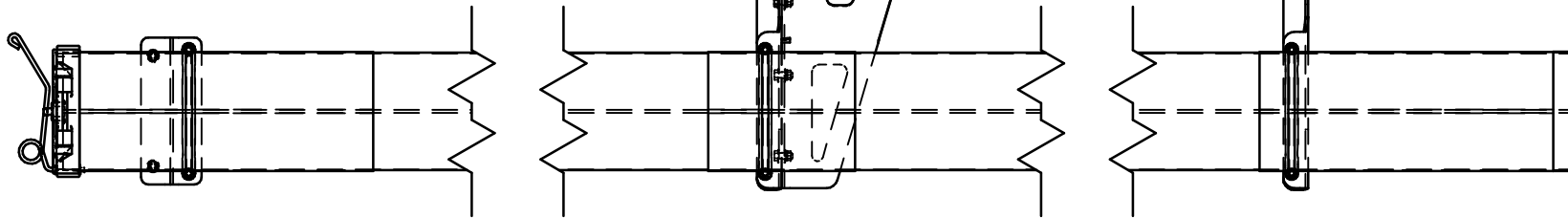
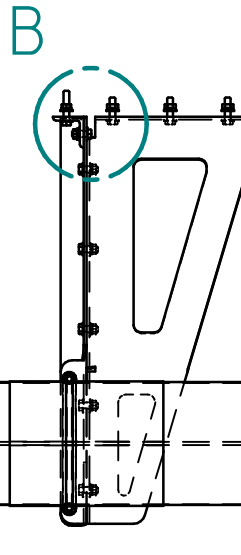
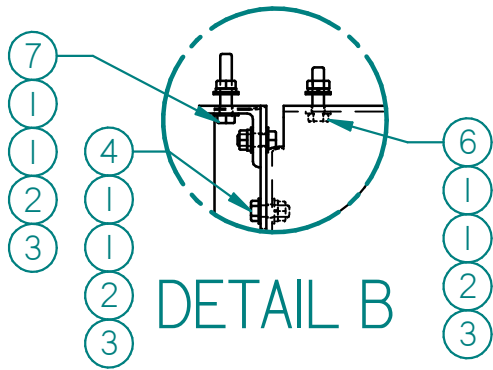
SOLID EDGE HOME USE

THIS DRAWING IS THE PROPERTY OF MAC MANUFACTURING INC. AND SUBJECT TO RECALL AT ANY TIME. DUPLICATION OR DISTRIBUTION WITHOUT PERMISSION IS PROHIBITED.		MAC MANUFACTURING INC.	
UNLESS OTHERWISE SPECIFIED DIMENSIONS ARE IN INCHES ANGLES ±2° FRACTIONS ±1/16" DECIMALS ±0.02		HOSE TUBE KIT, ADD ON, PS, 8" X 21' 49" TANDEM	
DRAWN: clintb	DATE: 12/01/15	PART #: 73803003	
WEIGHT: 62.7 lbm	PAGE 1 OF 6		

1	12/01/15	RELEASED TO PRODUCTION	N/A	clintb
REV.	DATE	REASON FOR CHANGE	ECN #	BY

HOSE TUBE KIT, ADD ON, PS, 8" X 21'

PART #: 73803003

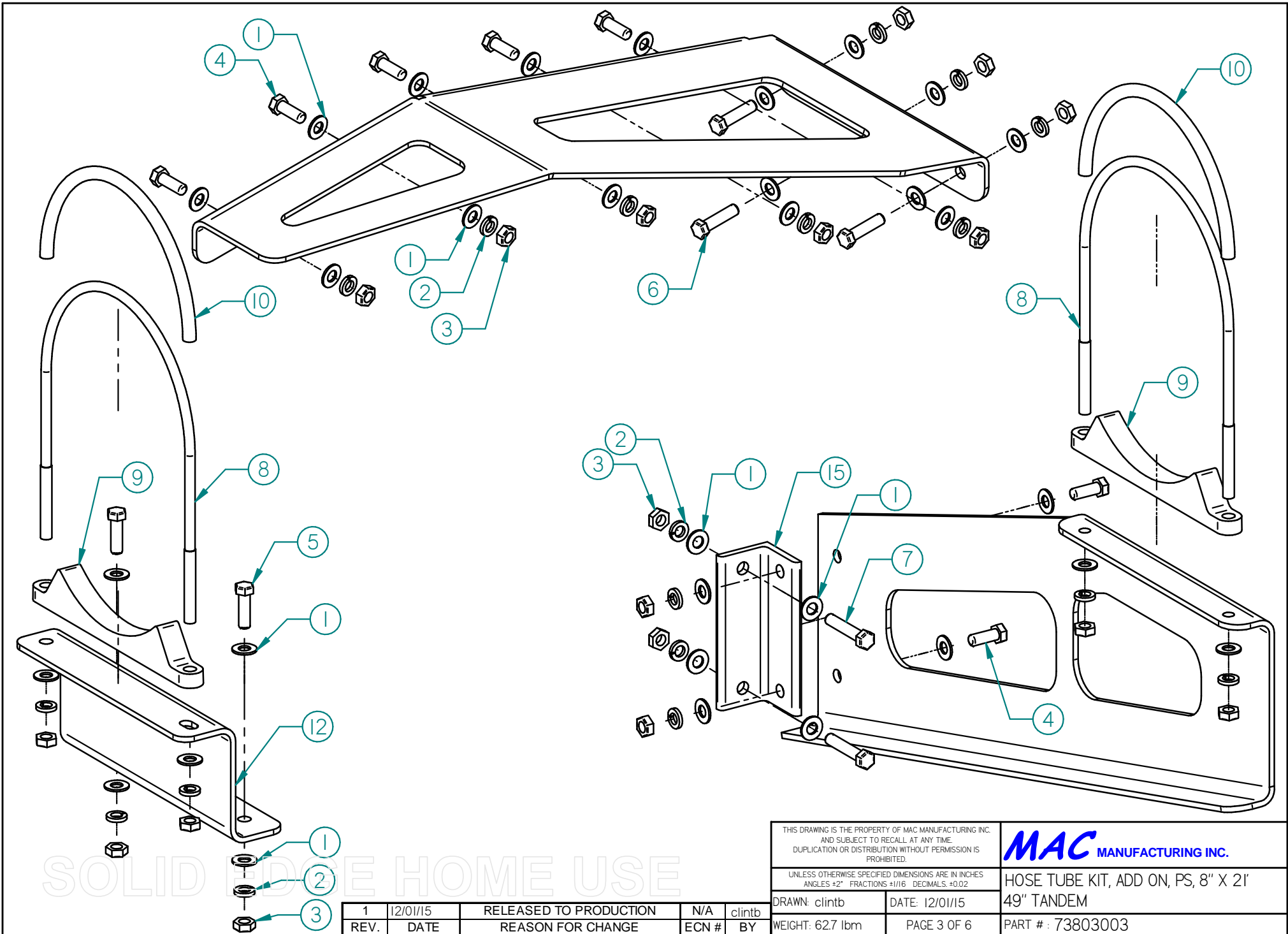


THIS DRAWING IS THE PROPERTY OF MAC MANUFACTURING INC. AND SUBJECT TO RECALL, AT ANY TIME. DUPLICATION OR DISTRIBUTION WITHOUT PERMISSION IS PROHIBITED.		MAC MANUFACTURING INC.	
UNLESS OTHERWISE SPECIFIED DIMENSIONS ARE IN INCHES ANGLES ±2° FRACTIONS +1/16 DECIMALS ±0.02		HOSE TUBE KIT, ADD ON, PS, 8" X 21' 49" TANDEM	
DRAWN: clintb	DATE: 12/01/15	PART #: 73803003	
WEIGHT: 62.7 lbm	PAGE 2 OF 6		

1	12/01/15	RELEASED TO PRODUCTION	N/A	clintb
REV.	DATE	REASON FOR CHANGE	ECN #	BY

SOLID EDGE HOME USE

HOSE TUBE KIT, ADD ON, PS, 8" X 21'



SOLID EDGE HOME USE

THIS DRAWING IS THE PROPERTY OF MAC MANUFACTURING INC. AND SUBJECT TO RECALL, AT ANY TIME. DUPLICATION OR DISTRIBUTION WITHOUT PERMISSION IS PROHIBITED.

MAC MANUFACTURING INC.

UNLESS OTHERWISE SPECIFIED DIMENSIONS ARE IN INCHES ANGLES ±2° FRACTIONS +1/16 DECIMALS ±0.02

HOSE TUBE KIT, ADD ON, PS, 8" X 21' 49" TANDEM

1	12/01/15	RELEASED TO PRODUCTION	N/A	clintb
REV.	DATE	REASON FOR CHANGE	ECN #	BY

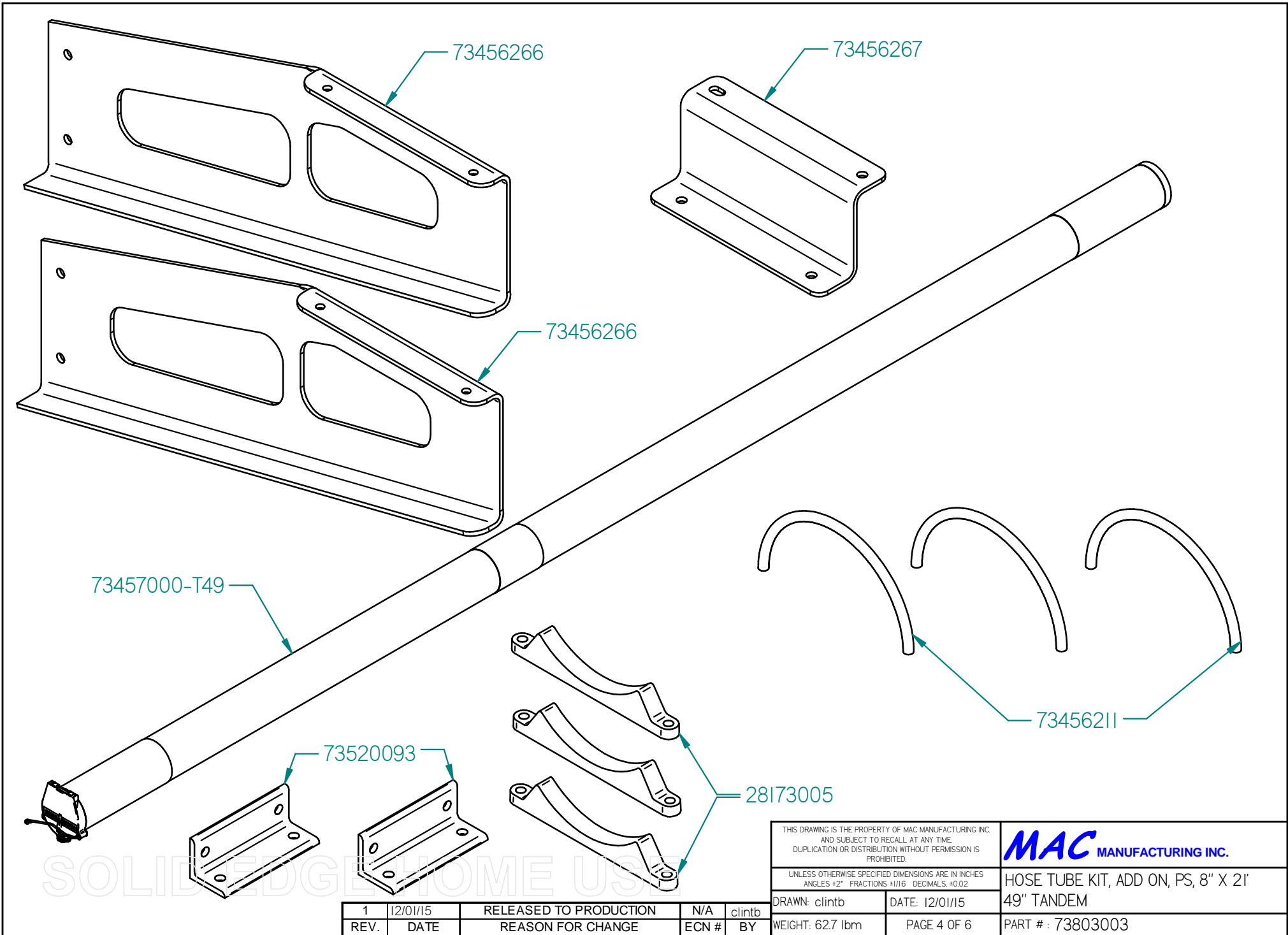
DRAWN: clintb
WEIGHT: 62.7 lbm

DATE: 12/01/15
PAGE 3 OF 6

PART #: 73803003

HOSE TUBE KIT, ADD ON, PS, 8" X 21'

PART #: 73803003

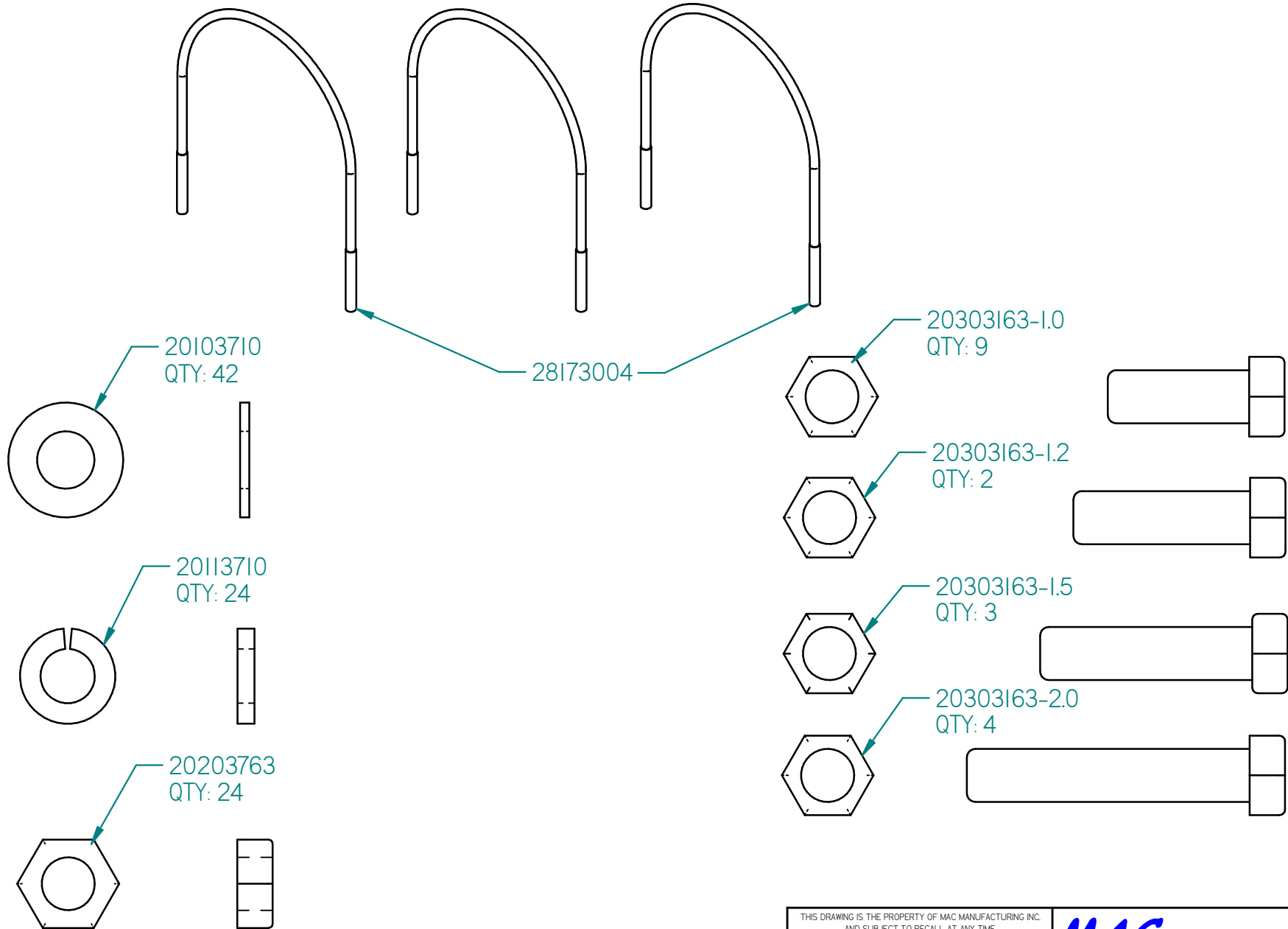


SOLID EDGE HOME USE

THIS DRAWING IS THE PROPERTY OF MAC MANUFACTURING INC. AND SUBJECT TO RECALL, AT ANY TIME. DUPLICATION OR DISTRIBUTION WITHOUT PERMISSION IS PROHIBITED.		MAC MANUFACTURING INC.	
UNLESS OTHERWISE SPECIFIED DIMENSIONS ARE IN INCHES ANGLES ±2° FRACTIONS ±1/16 DECIMALS ±0.02		HOSE TUBE KIT, ADD ON, PS, 8" X 21' 49" TANDEM	
DRAWN: clintb	DATE: 12/01/15	PART #: 73803003	
WEIGHT: 62.7 lbm	PAGE 4 OF 6		

1	12/01/15	RELEASED TO PRODUCTION	N/A	clintb
REV.	DATE	REASON FOR CHANGE	ECN #	BY

HOSE TUBE KIT, ADD ON, PS, 8" X 21'



SOLID EDGE HOME USE

THIS DRAWING IS THE PROPERTY OF MAC MANUFACTURING INC. AND SUBJECT TO RECALL, AT ANY TIME. DUPLICATION OR DISTRIBUTION WITHOUT PERMISSION IS PROHIBITED.		MAC MANUFACTURING INC.	
UNLESS OTHERWISE SPECIFIED DIMENSIONS ARE IN INCHES ANGLES ±2° FRACTIONS ±1/16 DECIMALS ±0.02		HOSE TUBE KIT, ADD ON, PS, 8" X 21' 49" TANDEM	
DRAWN: clintb	DATE: 12/01/15	PART #: 73803003	
WEIGHT: 62.7 lbm	PAGE 5 OF 6		

1	12/01/15	RELEASED TO PRODUCTION	N/A	clintb
REV.	DATE	REASON FOR CHANGE	ECN #	BY

HOSE TUBE KIT, ADD ON, PS, 8" X 21'

8" x 21' HOSE TUBE INSTALL LOCATION,
STANDARD MOUNT

MOUNT HOSE TUBE TO FRAME BEAM.
USE 7/16" BIT TO DRILL BRACKETS

MOUNT HOSE TUBE TO FENDER BRACKET
HIGHLIGHTED. USE 7/16" BIT TO DRILL BRACKETS

SOLID EDGE HOME USE

THIS DRAWING IS THE PROPERTY OF MAC MANUFACTURING INC.
AND SUBJECT TO RECALL, AT ANY TIME.
DUPLICATION OR DISTRIBUTION WITHOUT PERMISSION IS
PROHIBITED.

MAC MANUFACTURING INC.

UNLESS OTHERWISE SPECIFIED DIMENSIONS ARE IN INCHES
ANGLES ±2° FRACTIONS ±1/16" DECIMALS ±0.02

HOSE TUBE KIT, ADD ON, PS, 8" X 21'
49" TANDEM

1	12/01/15	RELEASED TO PRODUCTION	N/A	clintb
REV.	DATE	REASON FOR CHANGE	ECN #	BY

DRAWN: clintb

DATE: 12/01/15

WEIGHT: 62.7 lbm

PAGE 6 OF 6

PART #: 73803003