

MAC TRAILER MANUFACTURING, INC.

1050-C PNEU MAC TIC DRY BULK

MIKE JOHNSON
252Q
8/12/14 LAST REVISED
DLR REP.:

2016 Spring Dealer Incentive Program Base Model Trailer

SERIAL NO.	#VALUE!
MODEL NO.	TN1050APB
WEIGHT	9534 lb. +/- 3%
DATE	November 3, 2015

VESSEL 192.6712197

GVWR	72 GVWR
MODEL	1050-C
COMMODITY	DRY POWDER AND GRANULES
VESSEL CONSTRUCTION	SMOOTH EXTERIOR - INTERNAL RINGS
LENGTH	42 FT.
OPERATING TEMP	185 DEG - (MAX)
OPERATING PRESSURE	14.7 P.S.I. (HYDRO TESTED TO 22.5 P.S.I.)
VESSEL THICKNESS	.190 ALUMINUM 5454-H32 (STANDARD)
VESSEL FINISH	MILL FINISH - VESSEL (STANDARD)
COMPARTMENTS	SINGLE COMPARTMENT (STANDARD)
LOWER CONES	WELD ON - 45 DEG (STANDARD)
# OF MANHOLES	3
MANHOLE LOCATION	OVER EACH HOPPER
MANHOLE STYLE	BETTS MODEL 8555 20 IN. MANWAY (STANDARD)

PIPING / FITTINGS 9

UNLOAD TYPE	PRESSURIZED
-------------	-------------

AIR INLET LINE

AIR INLET SIZE	3 INCH - INLET, MANIFOLD, VALVE
CHECK VALVES	2-CHECK VALVES (1 @ AIR INLET)-(1UP STREAM OF FRONT HOPPER DISCHARGE)
AIR INLET LOCATION	STREET SIDE FRONT

AERATION

AERATORS	3 PER HOPPER (STANDARD)
AERATION TYPE	B.T.I. SPIN FLOW AERATION KIT @ EACH HOPPER W/ WEAR PLATES
AERATION LINE LOCATION	STREET SIDE
AERATION CONTROL	3" BTI MAXXLIFE BUTTERFLY VALVE
	REGULATES AIR FLOW TO AIR MANIFOLD LINE. 2 INCH - HOSES SUPPLYING AIR TO AERATION SYSTEM.
SEAT	WHITE RUBBER SEAT
DISK	STAINLESS STEEL DISC
HANDLE TYPE	ALUMINUM
HANDLE POSITION PLATE	MANUAL 10-POSITION

PROP / PRES CONTROL VALVE

HOUSING	3" BTI MAXXLIFE BUTTERFLY VALVE
SEAT	WHITE RUBBER SEAT
DISK	STAINLESS STEEL DISC
HANDLE TYPE	ALUMINUM
HANDLE POSITION PLATE	MANUAL 10-POSITION

BLOW DOWN LINE

HOUSING	3" BTI MAXXLIFE BUTTERFLY VALVE
SEAT	WHITE RUBBER SEAT
DISK	STAINLESS STEEL DISC
HANDLE TYPE	ALUMINUM
HANDLE POSITION PLATE	MANUAL 10-POSITION
RELIEF PRESSURE	15 P.S.I.
BLOW DOWN LOCATION	STREET SIDE FRONT

TOP AIR

TOP AIR	NONE	PORTS FOR FUTURE TOP AIR INSTALLATION
TOP LINE LOCATION	NONE	

PRODUCT VALVE

PRODUCT VALVE SIZE	NONE	INSTALL 5" BUTTERFLY VALVE FLANGES ON BOTTOM OF HOPPER
HOUSING	NONE	
SEAT	NONE	
DISK	NONE	
HANDLE TYPE	NONE	
HANDLE POSITION PLATE	NONE	

PRODUCT TEE

PRODUCT TEE TYPE	NONE
------------------	------

PRODUCT LINE

LINE	NONE
CONNECTIONS	NONE
	NONE
REAR DISCHARGE	NONE
DISCHARGE LOCATION	NONE
GAUGE ENCLOSURE	1
GAUGES	1 - LINE P.S.I. / 1 - TANK P.S.I. - (INSIDE ILLUMINATED ENCLOSURE)
GAUGE LOCATION	STREET SIDE - REAR - FORWARD OF TANDEM (STANDARD)

MAC TRAILER MANUFACTURING, INC.

1050-C PNEU MAC TIC DRY BULK

MIKE JOHNSON
252Q
8/12/14 LAST REVISED
DLR REP.:

2016 Spring Dealer Incentive Program Base Model Trailer

SERIAL NO.
MODEL NO.
WEIGHT
DATE
BN-1

#VALUE!
TN1050APB
9534 lb. +/- 3%
November 3, 2015

ACCESSORIES 15

LADDER	LADDER AT REAR - DOUBLE HAND RAIL (STANDARD)	
WALKWAY	ADHESIVE BACKED SKID RESISTANT TAPE BETWEEN TOERAILS (STANDARD)	HOSE HANGER INCLUDED WITH COUPLER
HAND RAIL	NONE	
TOE RAIL	FULL LENGTH - BOTH SIDES (STANDARD)	
HOSE TUBE	NONE	
HOSE TROUGH	NONE	DOCUMENT HOLDER INCLUDED
TIRE CARRIER	NONE	
FENDERS	ALUMINUM ROLLED EDGE - SINGLE CONTOUR AT FRONT, DOUBLE CONTOUR AT REAR (STANDARD)	
MUD FLAPS	ANTI-SAIL FLAPS - REAR OF FRONT FENDERS AND REAR OF BACK FENDERS (STANDARD)	
TOW HOOK	NONE	

CHASSIS 34

MODEL TYPE	TANDEM	
5TH WHEEL LOCATION	GALVANIZED, ADJUSTABLE	
5TH WHEEL HEIGHT	48 IN.	
LANDING GEAR	JOST - 5 YEAR NO LUBE - D.S. (STANDARD)	
SUSPENSION	HEND. INTRAAX AAT 230 W/ RAISED AXLE - TP SPINDLE	
AXLES	71.5" AXLES	
WHEEL END PACKAGE	NONE	
SUSPENSION CONTROLS	AUTOMATIC DUMP ON EMERGENCY GLADHAND (STANDARD)	
SCALE SYSTEM	LOAD GAUGE - STREET SIDE REAR (STANDARD)	
HUBS & DRUMS	CENT W/DURALITE HUB. HP OB 10 STUD TP. LS, 7 INCH (STANDARD)	
TIRE & RIM SIZE	22.5 INCH - TIRES & RIMS (STANDARD)	
TIRE TYPE	8 - BF GOODRICH ST230 11R 22.5 16 PLY (STANDARD)	
RIM TYPE	ALCOA HP 22.5X8.25 10 HOLE MILLED	
TIRE INFLATION SYSTEM	NONE	
A.B.S.	(1) 4S2M MERITOR / WABCO (STANDARD)	
BRAKE SHOES	7" XL, W/30-30 CHAMBERS (STANDARD)	
SLACKS	GUNITE (STANDARD)	
HUBODOMETER	NONE	
SYNTHETIC LUBRICATION	NONE	

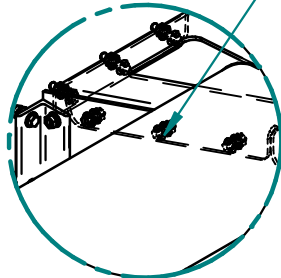
LIGHTS 0

REAR I.D. LIGHTS	(I.D.) (I.D.) (I.D.)	
"HIGH MOUNT" BRAKE LIGHT	DUAL FUNCTION REAR I.D. LIGHTS BRIGHTEN WHEN BRAKES ARE APPLIED	
REAR LIGHT PANEL	(TURN) (STOP) (STOP) - (STOP) (STOP) (TURN)	
LIGHT TYPE	GROTE LED W/GROMMETS (STANDARD)	
MARKER LIGHTS	2 EACH SIDE - FRONT AND REAR (STANDARD)	
MIDTURNS	2-PAIR COMBO MIDTURNS (STANDARD)	
BACK-UP LIGHTS	NONE	
WORK LIGHTS	NONE	
AUXILARY CABLE (4 OR 7 WAY)	NONE	

PAINT 2

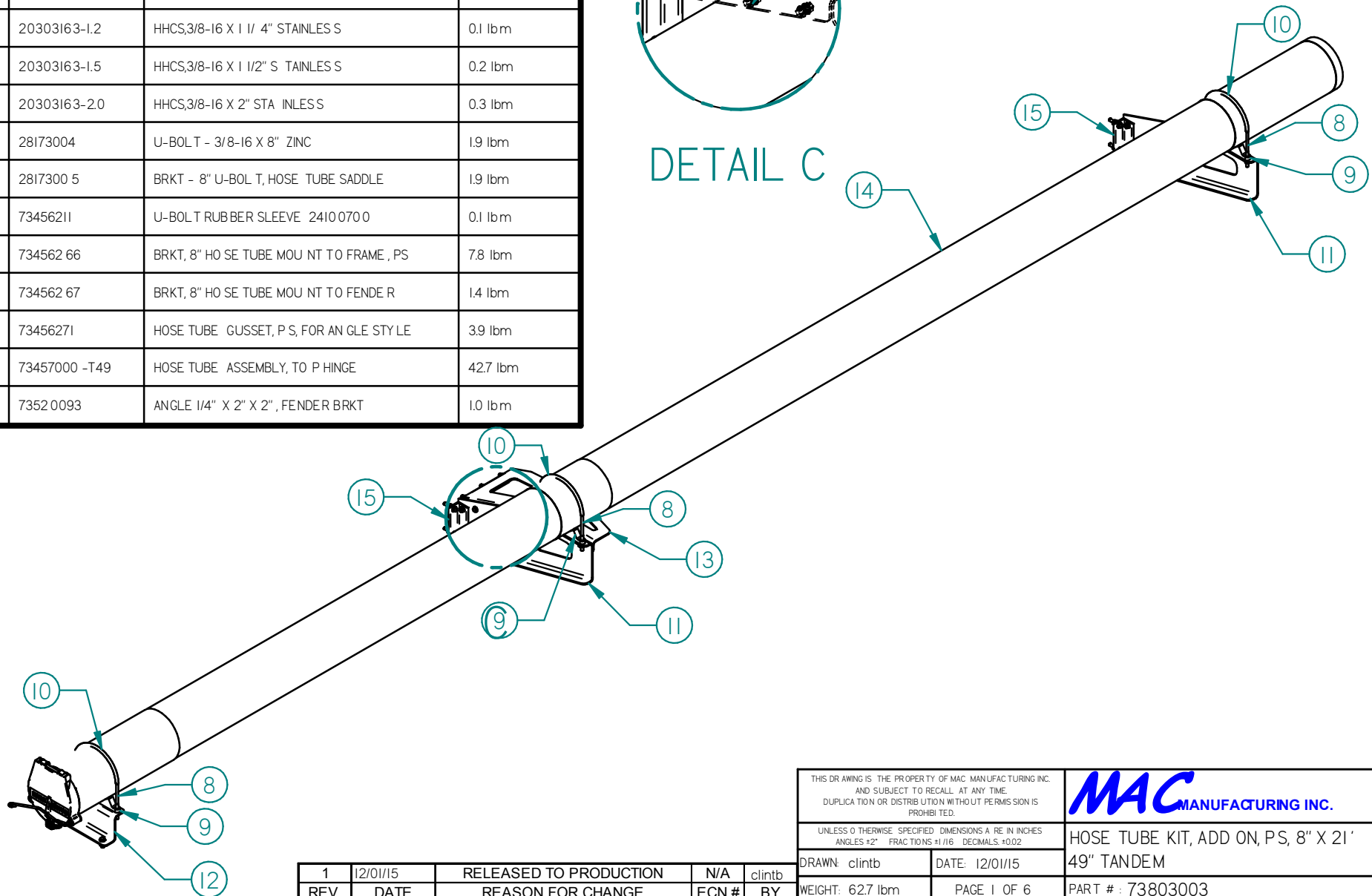
SUSPENSION COATING	GALVANIZED HANGERS WITH HENDRICKSON BLACK SOFT COAT	
PAINT COLOR	MAC BLACK (STANDARD)	

ITEM	QTY.	PART No.	DESCRIPTION	WEIGHT
1	42	20103710	WASHER, 3/8" STAINLES S	0.3 lbm
2	24	20113710	WASHER LOCK, 3/8" STAINLES S	0.2 lbm
3	24	20203763	LOCK NUT, 3/8-16 STA INLESS	0.4 lbm
4	9	20303163-1.0	HHCS,3/8-16 X 1" S TAINLES S	0.5 lbm
5	2	20303163-1.2	HHCS,3/8-16 X 1 1/4" S TAINLES S	0.1 lbm
6	3	20303163-1.5	HHCS,3/8-16 X 1 1/2" S TAINLES S	0.2 lbm
7	4	20303163-2.0	HHCS,3/8-16 X 2" STA INLESS	0.3 lbm
8	3	28173004	U-BOLT - 3/8-16 X 8" ZINC	1.9 lbm
9	3	2817300 5	BRKT - 8" U-BOL T, HOSE TUBE SADDLE	1.9 lbm
10	3	73456211	U-BOLT RUBBER SLEEVE 2410 070 0	0.1 lbm
11	2	734562 66	BRKT, 8" HO SE TUBE MOU NT TO FRAME , PS	7.8 lbm
12	1	734562 67	BRKT, 8" HO SE TUBE MOU NT TO FENDE R	1.4 lbm
13	1	73456271	HOSE TUBE GUSSET, P S, FOR AN GLE STY LE	3.9 lbm
14	1	73457000 -T49	HOSE TUBE ASSEMBLY, TO P HINGE	42.7 lbm
15	2	73520093	ANGLE 1/4" X 2" X 2" , FENDER BRKT	1.0 lbm



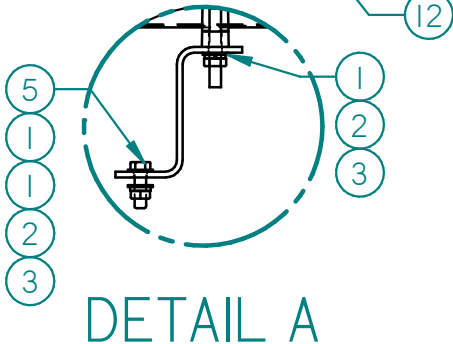
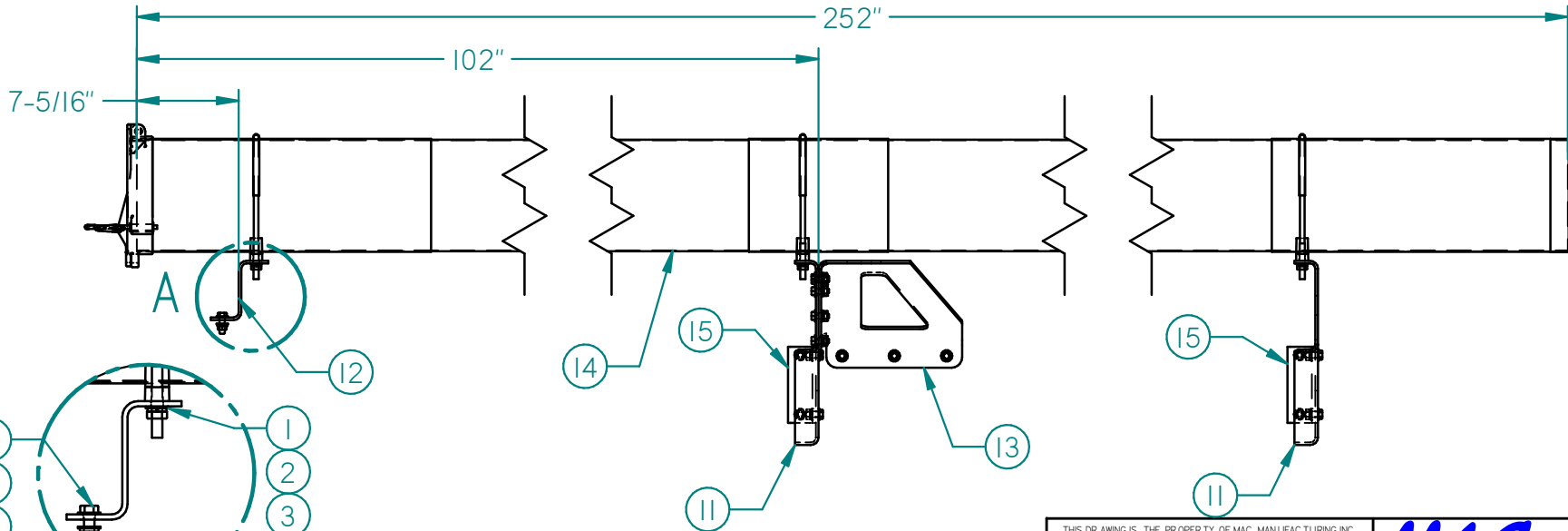
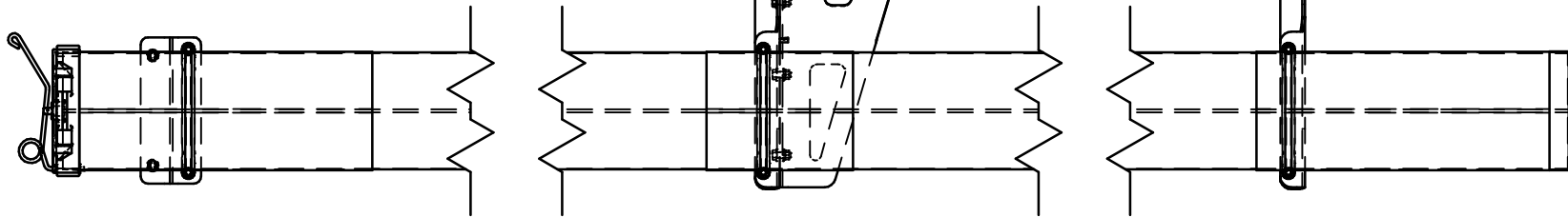
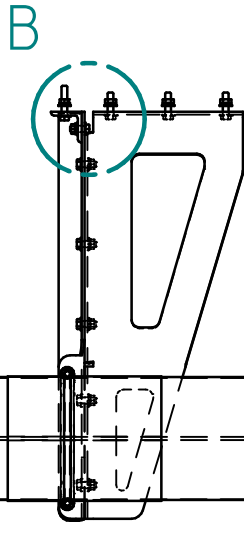
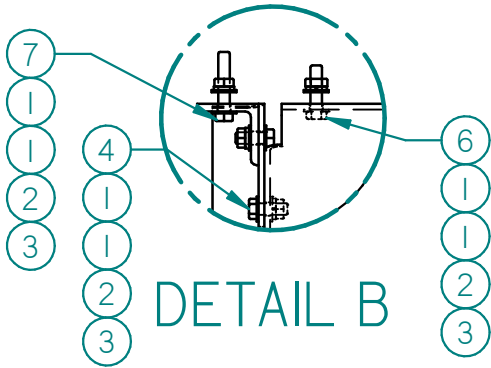
USE 73456271 AS TEMPLATE TO DRILL 73456266 WITH A 7/16" BIT IN 5 LOCATIONS. BOLT TOGETHER WITH LISTED HARDWARE.

DETAIL C



THIS DRAWING IS THE PROPERTY OF MAC MANUFACTURING INC. AND SUBJECT TO RECALL AT ANY TIME. DUPLICATION OR DISTRIBUTION WITHOUT PERMISSION IS PROHIBITED.		MAC MANUFACTURING INC.
UNLESS OTHERWISE SPECIFIED DIMENSIONS ARE IN INCHES ANGLES ±2° FRACTIONS ±1/16" DECIMALS ±0.02		
DRAWN: clintb	DATE: 12/01/15	HOSE TUBE KIT, ADD ON, P,S, 8" X 21' 49" TANDEM
WEIGHT: 62.7 lbm	PAGE 1 OF 6	PART # : 73803003

REV.	DATE	REASON FOR CHANGE	ECN #	BY
1	12/01/15	RELEASED TO PRODUCTION	N/A	clintb



THIS DRAWING IS THE PROPERTY OF MAC MANUFACTURING INC. AND SUBJECT TO RECALL AT ANY TIME. DUPLICATION OR DISTRIBUTION WITHOUT PERMISSION IS PROHIBITED.



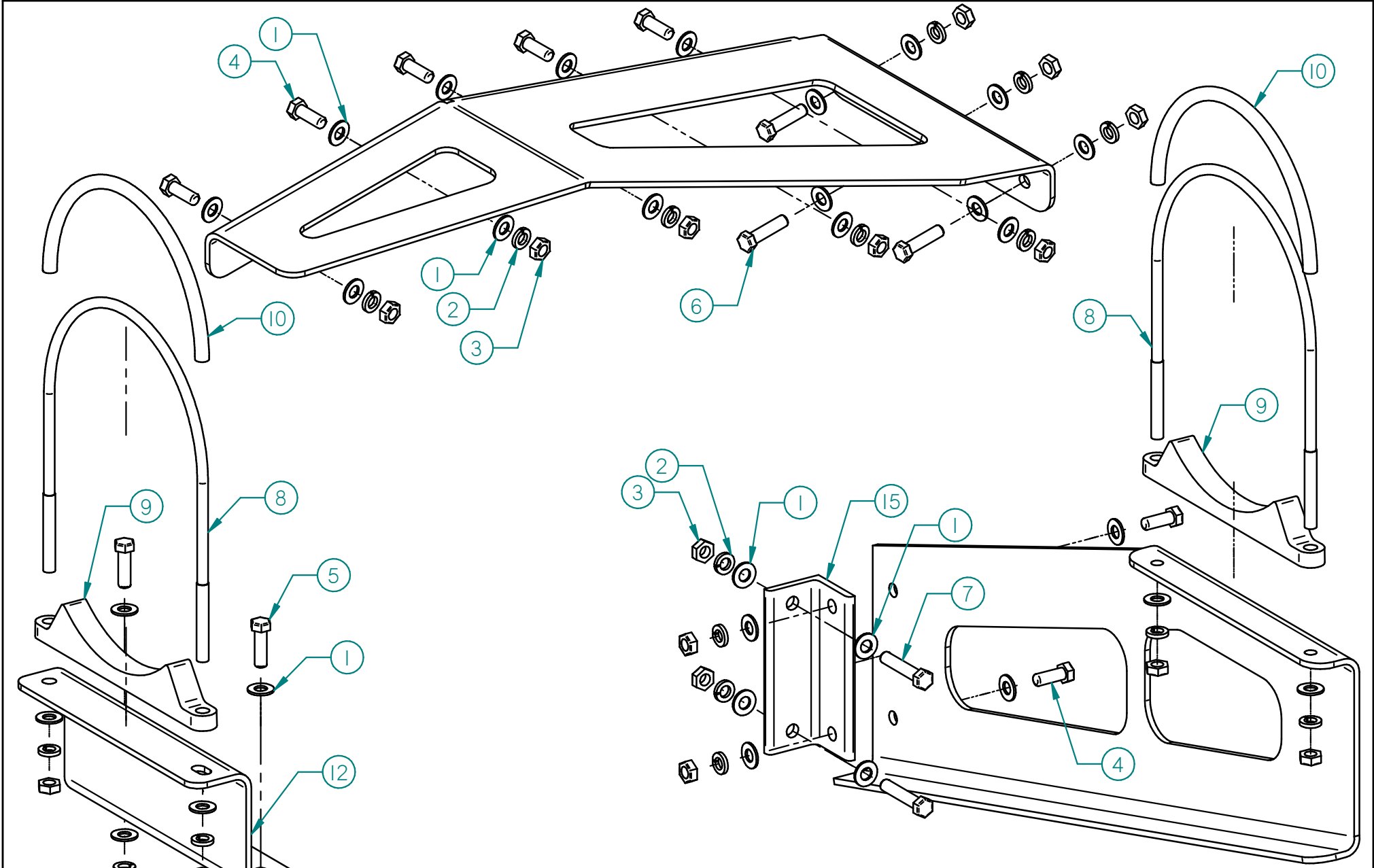
UNLESS OTHERWISE SPECIFIED DIMENSIONS ARE IN INCHES
 ANGLES ±2° FRACTIONS ±1/16" DECIMALS ±0.02

HOSE TUBE KIT, ADD ON, P.S, 8" X 21' 49" TANDEM

1	12/01/15	RELEASED TO PRODUCTION	N/A	clintb
REV.	DATE	REASON FOR CHANGE	ECN #	BY

DRAWN: clintb	DATE: 12/01/15
WEIGHT: 62.7 lbm	PAGE 2 OF 6

PART # : 73803003



THIS DRAWING IS THE PROPERTY OF MAC MANUFACTURING INC.
 AND SUBJECT TO RECALL. AT ANY TIME.
 DUPLICATION OR DISTRIBUTION WITHOUT PERMISSION IS
 PROHIBITED.



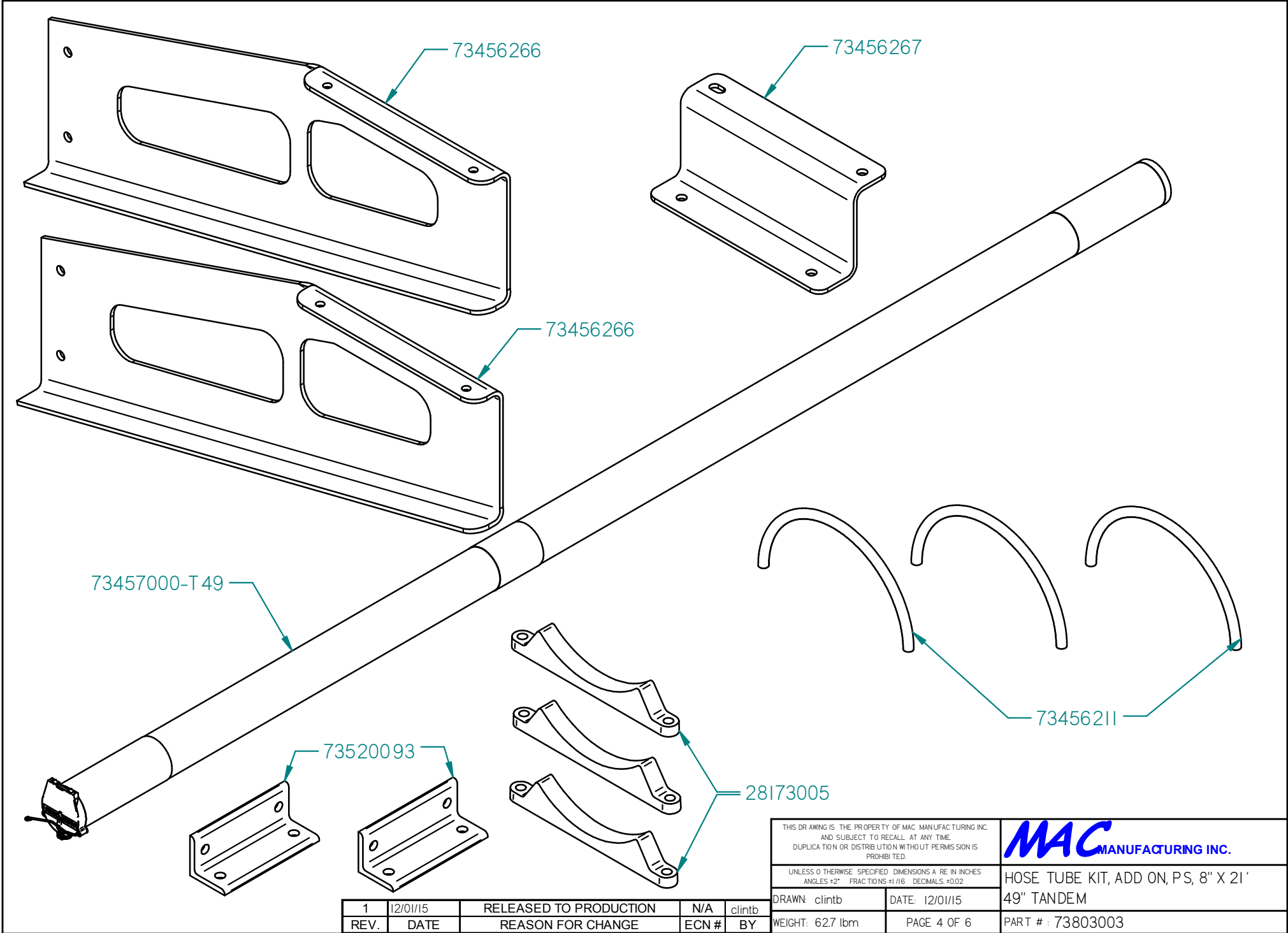
UNLESS OTHERWISE SPECIFIED DIMENSIONS ARE IN INCHES
 ANGLES ±2° FRACTIONS ±1/16" DECIMALS ±0.02

HOSE TUBE KIT, ADD ON, P/S, 8" X 21'
 49" TANDEM

1	12/01/15	RELEASED TO PRODUCTION	N/A	clintb
REV.	DATE	REASON FOR CHANGE	ECN #	BY

DRAWN: clintb	DATE: 12/01/15
WEIGHT: 62.7 lbm	PAGE 3 OF 6

PART #: 73803003



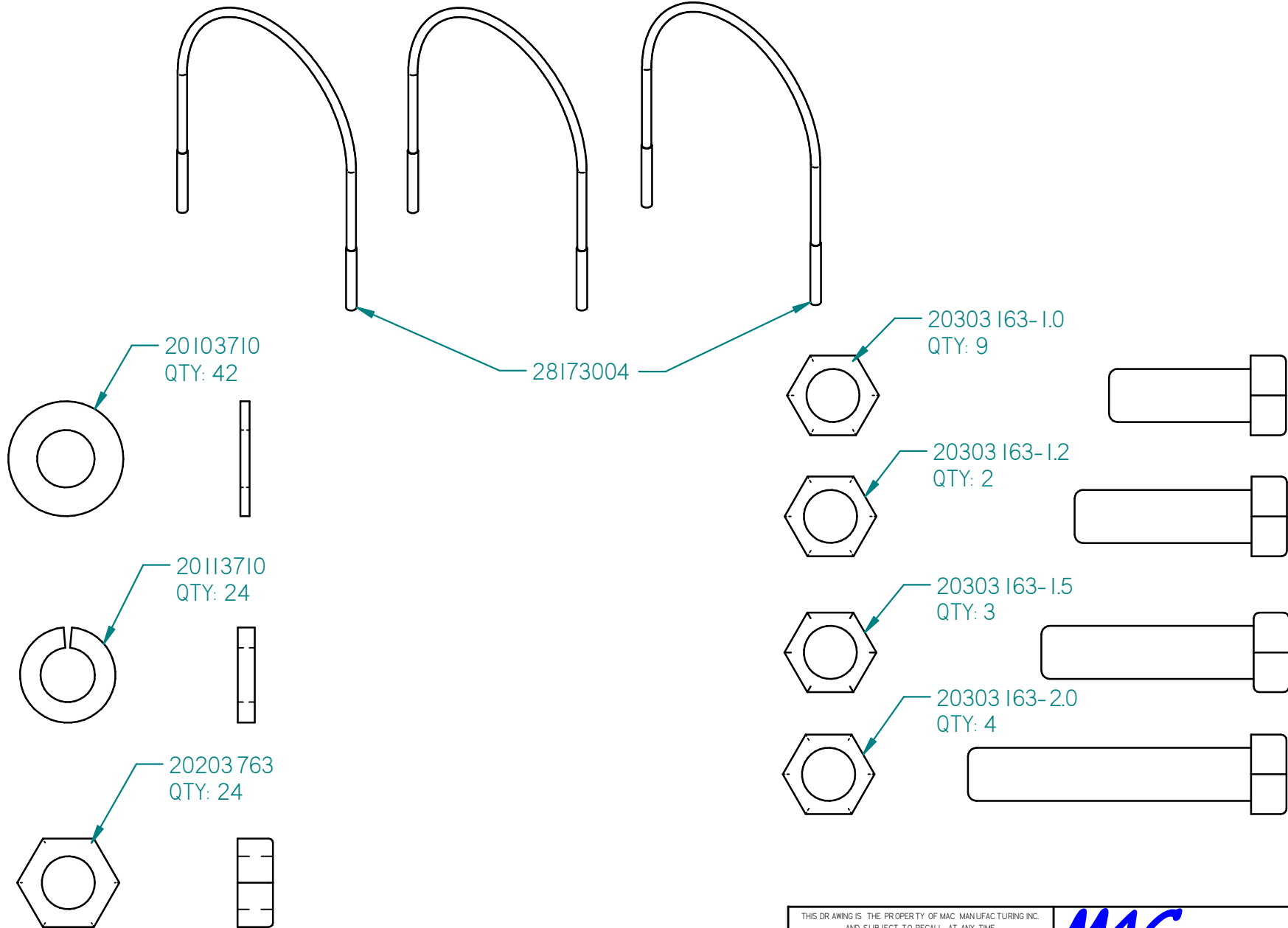
1	12/01/15	RELEASED TO PRODUCTION	N/A	clintb
REV.	DATE	REASON FOR CHANGE	ECN #	BY

THIS DRAWING IS THE PROPERTY OF MAC MANUFACTURING INC. AND SUBJECT TO RECALL AT ANY TIME. DUPLICATION OR DISTRIBUTION WITHOUT PERMISSION IS PROHIBITED.	
UNLESS OTHERWISE SPECIFIED DIMENSIONS ARE IN INCHES ANGLES ±2° FRACTIONS ±1/16 DECIMALS ±0.02	
DRAWN: clintb	DATE: 12/01/15
WEIGHT: 62.7 lbm	PAGE 4 OF 6

MAC MANUFACTURING INC.

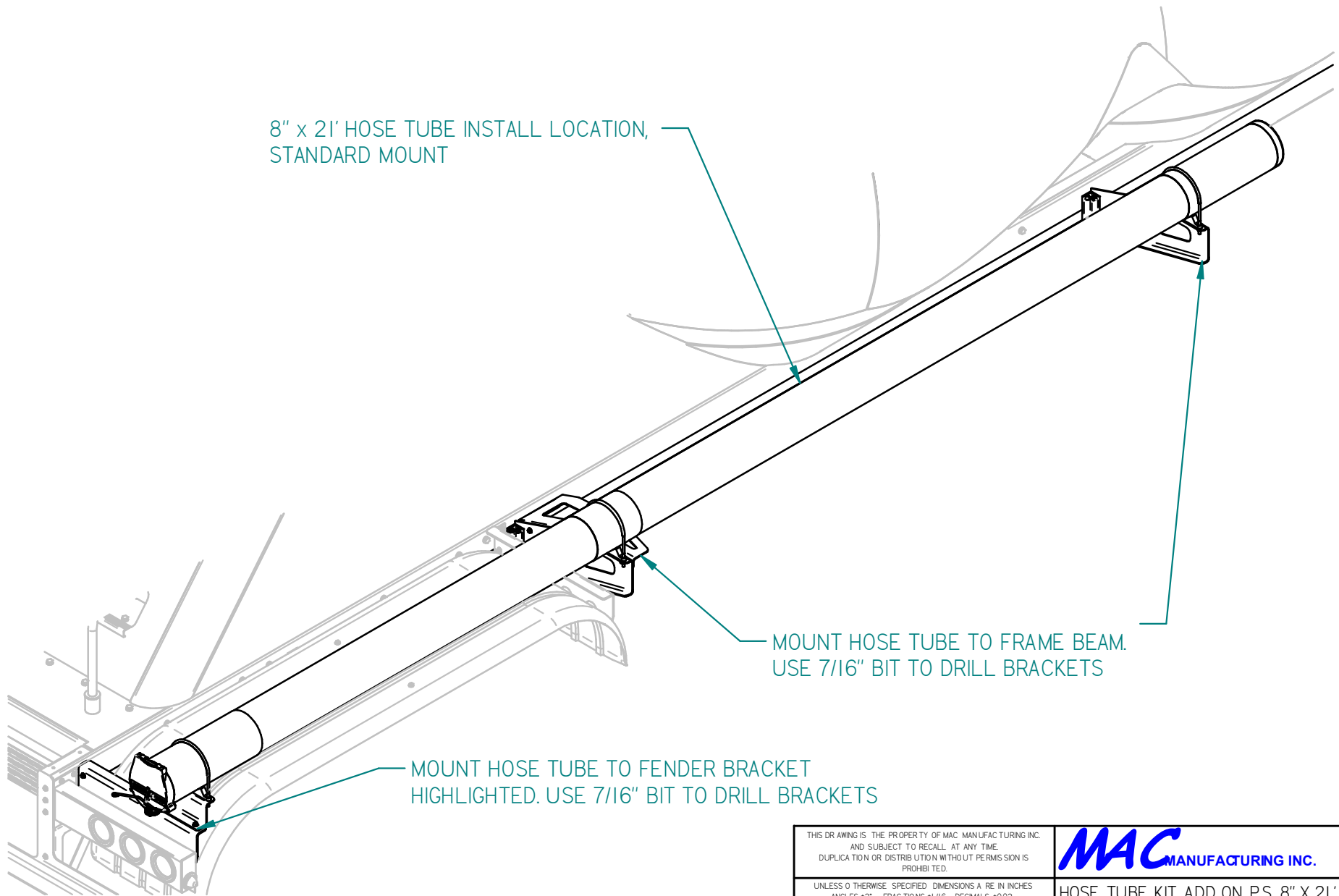
HOSE TUBE KIT, ADD ON, P.S, 8" X 21' 49" TANDEM

PART #: 73803003



THIS DRAWING IS THE PROPERTY OF MAC MANUFACTURING INC. AND SUBJECT TO RECALL AT ANY TIME. DUPLICATION OR DISTRIBUTION WITHOUT PERMISSION IS PROHIBITED.		MAC MANUFACTURING INC.	
UNLESS OTHERWISE SPECIFIED DIMENSIONS ARE IN INCHES ANGLES ±2° FRACTIONS ±1/16 DECIMALS ±0.02		HOSE TUBE KIT, ADD ON, P.S, 8" X 21' 49" TANDEM	
DRAWN: clintb	DATE: 12/01/15		
WEIGHT: 62.7 lbm	PAGE 5 OF 6	PART # : 73803003	

1	12/01/15	RELEASED TO PRODUCTION	N/A	clintb
REV.	DATE	REASON FOR CHANGE	ECN #	BY



8" x 21' HOSE TUBE INSTALL LOCATION,
STANDARD MOUNT

MOUNT HOSE TUBE TO FRAME BEAM.
USE 7/16" BIT TO DRILL BRACKETS

MOUNT HOSE TUBE TO FENDER BRACKET
HIGHLIGHTED. USE 7/16" BIT TO DRILL BRACKETS

THIS DRAWING IS THE PROPERTY OF MAC MANUFACTURING INC.
AND SUBJECT TO RECALL AT ANY TIME.
DUPLICATION OR DISTRIBUTION WITHOUT PERMISSION IS
PROHIBITED.

MAC MANUFACTURING INC.

UNLESS OTHERWISE SPECIFIED DIMENSIONS ARE IN INCHES
ANGLES ±2° FRACTIONS ±1/16" DECIMALS ±0.02

HOSE TUBE KIT, ADD ON, P.S, 8" X 21'
49" TANDEM

1	12/01/15	RELEASED TO PRODUCTION	N/A	clintb
REV.	DATE	REASON FOR CHANGE	ECN #	BY

DRAWN: clintb

DATE: 12/01/15

WEIGHT: 62.7 lbm

PAGE 6 OF 6

PART # : 73803003