

**MAC** TRAILER MANUFACTURING, INC.

**1050-C PNEU MAC TIC DRY BULK**

MIKE JOHNSON  
252Q  
8/12/14 LAST REVISED  
DLR REP.:

2016 Spring Dealer Incentive Program Base Model Trailer

SERIAL NO.  
MODEL NO.  
WEIGHT  
DATE

#VALUE!  
TN1050APB  
9534 lb. +/- 3%  
November 3, 2015

BN-1

192.6712197

**VESSEL**

|                     |   |  |
|---------------------|---|--|
| GVWR                | 72 GVWR                                   |  |
| MODEL               | 1050-C                                    |  |
| COMMODITY           | DRY POWDER AND GRANULES                   |  |
| VESSEL CONSTRUCTION | SMOOTH EXTERIOR - INTERNAL RINGS          |  |
| LENGTH              | 42 FT.                                    |  |
| OPERATING TEMP      | 185 DEG - (MAX)                           |  |
| OPERATING PRESSURE  | 14.7 P.S.I. (HYDRO TESTED TO 22.5 P.S.I.) |  |
| VESSEL THICKNESS    | .190 ALUMINUM 5454-H32 (STANDARD)         |  |
| VESSEL FINISH       | MILL FINISH - VESSEL (STANDARD)           |  |
| COMPARTMENTS        | SINGLE COMPARTMENT (STANDARD)             |  |
| LOWER CONES         | WELD ON - 45 DEG (STANDARD)               |  |
| # OF MANHOLES       | 3   |  |
| MANHOLE LOCATION    | OVER EACH HOPPER                          |  |
| MANHOLE STYLE       | BETTS MODEL 8555 20 IN. MANWAY (STANDARD) |  |

**PIPING / FITTINGS**

|             |             |  |
|-------------|-------------|--|
| UNLOAD TYPE | PRESSURIZED |  |
|-------------|-------------|--|

**AIR INLET LINE**

|                    |   |  |
|--------------------|---|--|
| AIR INLET SIZE     | 3 INCH - INLET, MANIFOLD, VALVE                                       |  |
| CHECK VALVES       | 2-CHECK VALVES (1 @ AIR INLET)-(1UP STREAM OF FRONT HOPPER DISCHARGE) |  |
| AIR INLET LOCATION | STREET SIDE FRONT   |  |

**AERATION**

|                        |   |  |
|------------------------|---|--|
| AERATORS               | 3 PER HOPPER (STANDARD)   |  |
| AERATION TYPE          | B.T.I. SPIN FLOW AERATION KIT @ EACH HOPPER W/ WEAR PLATES                                |  |
| AERATION LINE LOCATION | STREET SIDE   |  |
| AERATION CONTROL       | 3" BTI MAXXLIFE BUTTERFLY VALVE   |  |
|                        | REGULATES AIR FLOW TO AIR MANIFOLD LINE. 2 INCH - HOSES SUPPLYING AIR TO AERATION SYSTEM. |  |
| SEAT                   | WHITE RUBBER SEAT   |  |
| DISK                   | STAINLESS STEEL DISC  |  |
| HANDLE TYPE            | ALUMINUM  |  |
| HANDLE POSITION PLATE  | MANUAL 10-POSITION  |  |

**PROP / PRES CONTROL VALVE**

|                       |                                 |  |
|-----------------------|---------------------------------|--|
| HOUSING               | 3" BTI MAXXLIFE BUTTERFLY VALVE |  |
| SEAT                  | WHITE RUBBER SEAT               |  |
| DISK                  | STAINLESS STEEL DISC            |  |
| HANDLE TYPE           | ALUMINUM                        |  |
| HANDLE POSITION PLATE | MANUAL 10-POSITION              |  |

**BLOW DOWN LINE**

|                       |                                 |  |
|-----------------------|---------------------------------|--|
| HOUSING               | 3" BTI MAXXLIFE BUTTERFLY VALVE |  |
| SEAT                  | WHITE RUBBER SEAT               |  |
| DISK                  | STAINLESS STEEL DISC            |  |
| HANDLE TYPE           | ALUMINUM                        |  |
| HANDLE POSITION PLATE | MANUAL 10-POSITION              |  |
| RELIEF PRESSURE       | 15 P.S.I.                       |  |
| BLOW DOWN LOCATION    | STREET SIDE FRONT               |  |

**TOP AIR**

|                   |      |                                       |
|-------------------|------|---------------------------------------|
| TOP AIR           | NONE | PORTS FOR FUTURE TOP AIR INSTALLATION |
| TOP LINE LOCATION | NONE |                                       |

**PRODUCT VALVE**

|                       |      |  |
|-----------------------|------|--|
| PRODUCT VALVE SIZE    | NONE | INSTALL 5" BUTTERFLY VALVE FLANGES ON BOTTOM OF HOPPER |
| HOUSING               | NONE |  |
| SEAT                  | NONE |  |
| DISK                  | NONE |  |
| HANDLE TYPE           | NONE |  |
| HANDLE POSITION PLATE | NONE |  |

**PRODUCT TEE**

|                  |      |  |
|------------------|------|--|
| PRODUCT TEE TYPE | NONE |  |
|------------------|------|--|

**PRODUCT LINE**

|                                   |  |  |
|-----------------------------------|--|--|
| LINE CONNECTIONS                  | NONE   |  |
| REAR DISCHARGE DISCHARGE LOCATION | NONE   |  |
| GAUGE ENCLOSURE                   | 1  |  |
| GAUGES                            | 1 - LINE P.S.I. / 1 - TANK P.S.I. - (INSIDE ILLUMINATED ENCLOSURE) |  |
| GAUGE LOCATION                    | STREET SIDE - REAR - FORWARD OF TANDEM (STANDARD)                  |  |

**MAC** TRAILER MANUFACTURING, INC.

**1050-C PNEU MAC TIC DRY BULK**

MIKE JOHNSON  
252Q  
8/12/14 LAST REVISED  
DLR REP.:

2016 Spring Dealer Incentive Program Base Model Trailer

SERIAL NO.  
MODEL NO.  
WEIGHT  
DATE  
BN-1

|                  |
|------------------|
| #VALUE!          |
| TN1050APB        |
| 9534 lb. +/- 3%  |
| November 3, 2015 |

**ACCESSORIES** 15

|              |   |                                   |
|--------------|---|-----------------------------------|
| LADDER       | LADDER AT REAR - DOUBLE HAND RAIL (STANDARD)                                      |                                   |
| WALKWAY      | ADHESIVE BACKED SKID RESISTANT TAPE BETWEEN TOERAILS (STANDARD)                   | HOSE HANGER INCLUDED WITH COUPLER |
| HAND RAIL    | NONE  |                                   |
| TOE RAIL     | FULL LENGTH - BOTH SIDES (STANDARD)   |                                   |
| HOSE TUBE    | NONE  |                                   |
| HOSE TROUGH  | NONE  | DOCUMENT HOLDER INCLUDED          |
| TIRE CARRIER | NONE  |                                   |
| FENDERS      | ALUMINUM ROLLED EDGE - SINGLE CONTOUR AT FRONT, DOUBLE CONTOUR AT REAR (STANDARD) |                                   |
| MUD FLAPS    | ANTI-SAIL FLAPS - REAR OF FRONT FENDERS AND REAR OF BACK FENDERS (STANDARD)       |                                   |
| TOW HOOK     | NONE  |                                   |

**CHASSIS** 34

|                       |  |  |
|-----------------------|--|--|
| MODEL TYPE            | TANDEM   |  |
| 5TH WHEEL LOCATION    | GALVANIZED, ADJUSTABLE                                       |  |
| 5TH WHEEL HEIGHT      | 48 IN.   |  |
| LANDING GEAR          | JOST - 5 YEAR NO LUBE - D.S. (STANDARD)                      |  |
| SUSPENSION            | HEND. INTRAAX AAT 230 W/ RAISED AXLE - TP SPINDLE            |  |
| AXLES                 | 71.5" AXLES  |  |
| WHEEL END PACKAGE     | NONE   |  |
| SUSPENSION CONTROLS   | AUTOMATIC DUMP ON EMERGENCY GLADHAND (STANDARD)              |  |
| SCALE SYSTEM          | LOAD GAUGE - STREET SIDE REAR (STANDARD)                     |  |
| HUBS & DRUMS          | CENT W/DURALITE HUB. HP OB 10 STUD TP. LS, 7 INCH (STANDARD) |  |
| TIRE & RIM SIZE       | 22.5 INCH - TIRES & RIMS (STANDARD)                          |  |
| TIRE TYPE             | 8 - BF GOODRICH ST230 11R 22.5 16 PLY (STANDARD)             |  |
| RIM TYPE              | ALCOA HP 22.5X8.25 10 HOLE MILLED                            |  |
| TIRE INFLATION SYSTEM | NONE   |  |
| A.B.S.                | (1) 4S2M MERITOR / WABCO (STANDARD)                          |  |
| BRAKE SHOES           | 7" XL, W/30-30 CHAMBERS (STANDARD)                           |  |
| SLACKS                | GUNITE (STANDARD)  |  |
| HUBODOMETER           | NONE   |  |
| SYNTHETIC LUBRICATION | NONE   |  |

**LIGHTS** 0

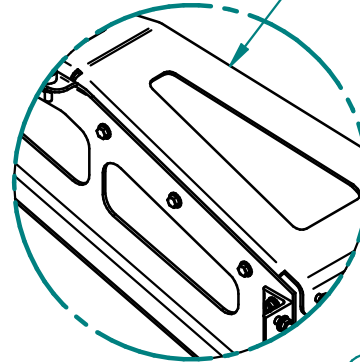
|                             |   |  |
|-----------------------------|---|--|
| REAR I.D. LIGHTS            | (I.D.) (I.D.) (I.D.)  |  |
| "HIGH MOUNT" BRAKE LIGHT    | DUAL FUNCTION REAR I.D. LIGHTS BRIGHTEN WHEN BRAKES ARE APPLIED |  |
| REAR LIGHT PANEL            | (TURN) (STOP) (STOP) - (STOP) (STOP) (TURN)                     |  |
| LIGHT TYPE                  | GROTE LED W/GROMMETS (STANDARD)                                 |  |
| MARKER LIGHTS               | 2 EACH SIDE - FRONT AND REAR (STANDARD)                         |  |
| MIDTURNS                    | 2-PAIR COMBO MIDTURNS (STANDARD)                                |  |
| BACK-UP LIGHTS              | NONE  |  |
| WORK LIGHTS                 | NONE  |  |
| AUXILARY CABLE (4 OR 7 WAY) | NONE  |  |

**PAINT** 2

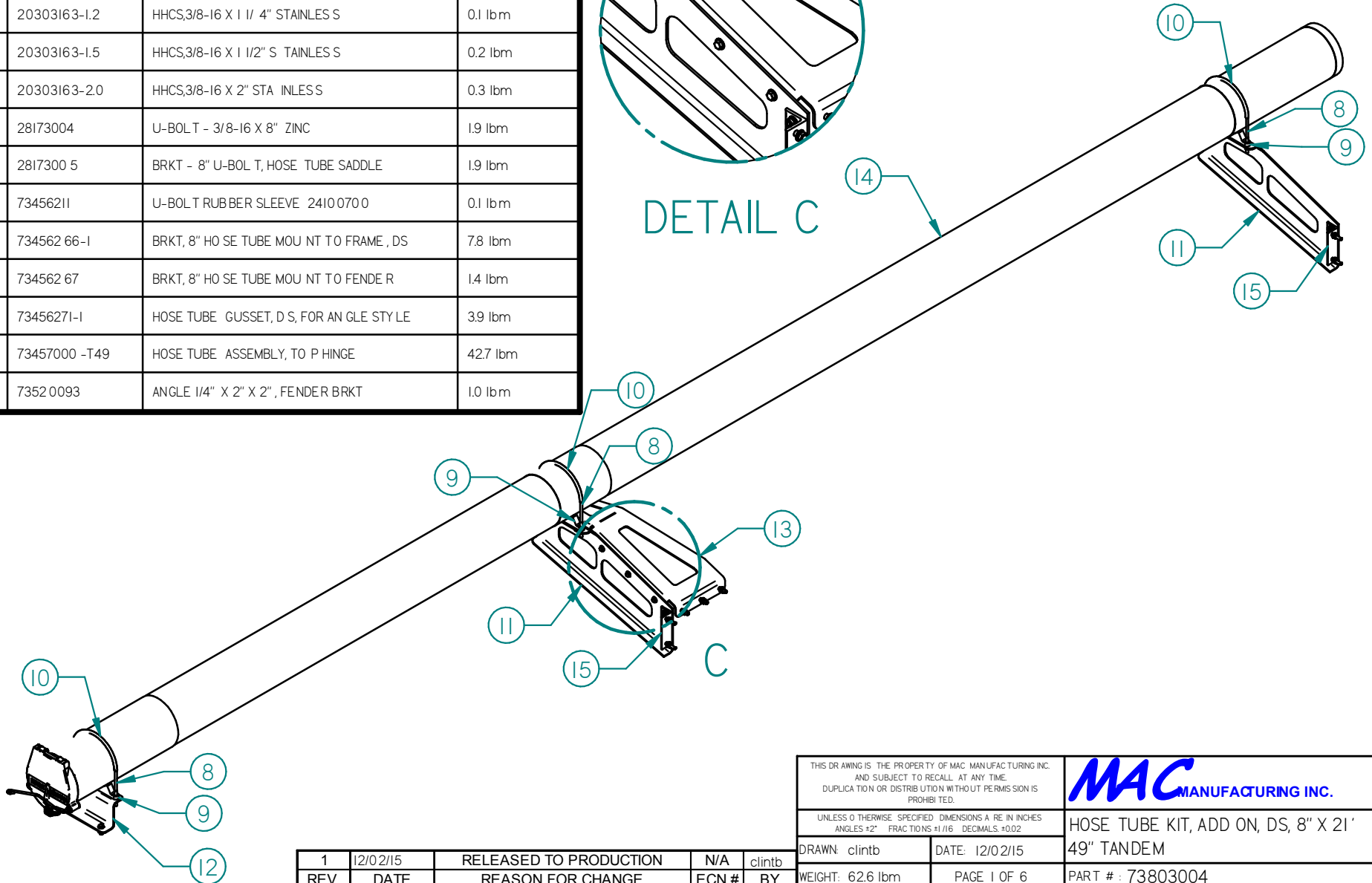
|                    |   |  |
|--------------------|---|--|
| SUSPENSION COATING | GALVANIZED HANGERS WITH HENDRICKSON BLACK SOFT COAT |  |
| PAINT COLOR        | MAC BLACK (STANDARD)                                |  |

| ITEM | QTY. | PART No.      | DESCRIPTION                              | WEIGHT   |
|------|------|---------------|--|----------|
| 1    | 42   | 20103710      | WASHER, 3/8" STAINLES S                  | 0.3 lbm  |
| 2    | 24   | 20113710      | WASHER LOCK, 3/8" STAINLES S             | 0.2 lbm  |
| 3    | 24   | 20203763      | LOCK NUT, 3/8-16 STA INLESS              | 0.4 lbm  |
| 4    | 9    | 20303163-1.0  | HHCS,3/8-16 X 1" S TAINLES S             | 0.5 lbm  |
| 5    | 2    | 20303163-1.2  | HHCS,3/8-16 X 1 1/4" STAINLES S          | 0.1 lbm  |
| 6    | 3    | 20303163-1.5  | HHCS,3/8-16 X 1 1/2" S TAINLES S         | 0.2 lbm  |
| 7    | 4    | 20303163-2.0  | HHCS,3/8-16 X 2" STA INLESS              | 0.3 lbm  |
| 8    | 3    | 28173004      | U-BOLT - 3/8-16 X 8" ZINC                | 1.9 lbm  |
| 9    | 3    | 28173005      | BRKT - 8" U-BOLT, HOSE TUBE SADDLE       | 1.9 lbm  |
| 10   | 3    | 73456211      | U-BOLT RUBBER SLEEVE 2410 070 0          | 0.1 lbm  |
| 11   | 2    | 73456266-1    | BRKT, 8" HO SE TUBE MOU NT TO FRAME, DS  | 7.8 lbm  |
| 12   | 1    | 73456267      | BRKT, 8" HO SE TUBE MOU NT TO FENDE R    | 1.4 lbm  |
| 13   | 1    | 73456271-1    | HOSE TUBE GUSSET, D S, FOR AN GLE STY LE | 3.9 lbm  |
| 14   | 1    | 73457000 -T49 | HOSE TUBE ASSEMBLY, TO P HINGE           | 42.7 lbm |
| 15   | 2    | 73520093      | ANGLE 1/4" X 2" X 2", FENDER BRKT        | 1.0 lbm  |

USE 73456271-1 AS TEMPLATE TO DRILL 73456266-1 WITH A 7/16" BIT IN 5 LOCATIONS. BOLT TOGETHER WITH LISTED HARDWARE.



DETAIL C



THIS DRAWING IS THE PROPERTY OF MAC MANUFACTURING INC. AND SUBJECT TO RECALL AT ANY TIME. DUPLICATION OR DISTRIBUTION WITHOUT PERMISSION IS PROHIBITED.

**MAC** MANUFACTURING INC.

UNLESS OTHERWISE SPECIFIED DIMENSIONS ARE IN INCHES  
 ANGLES ±2° FRACTIONS ±1/16" DECIMALS ±0.02

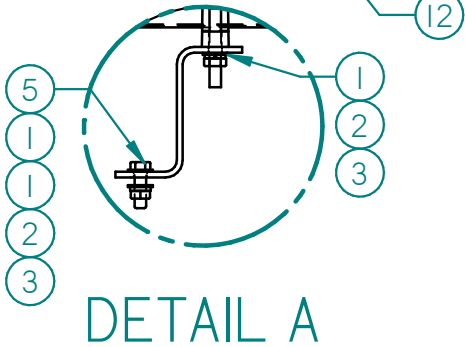
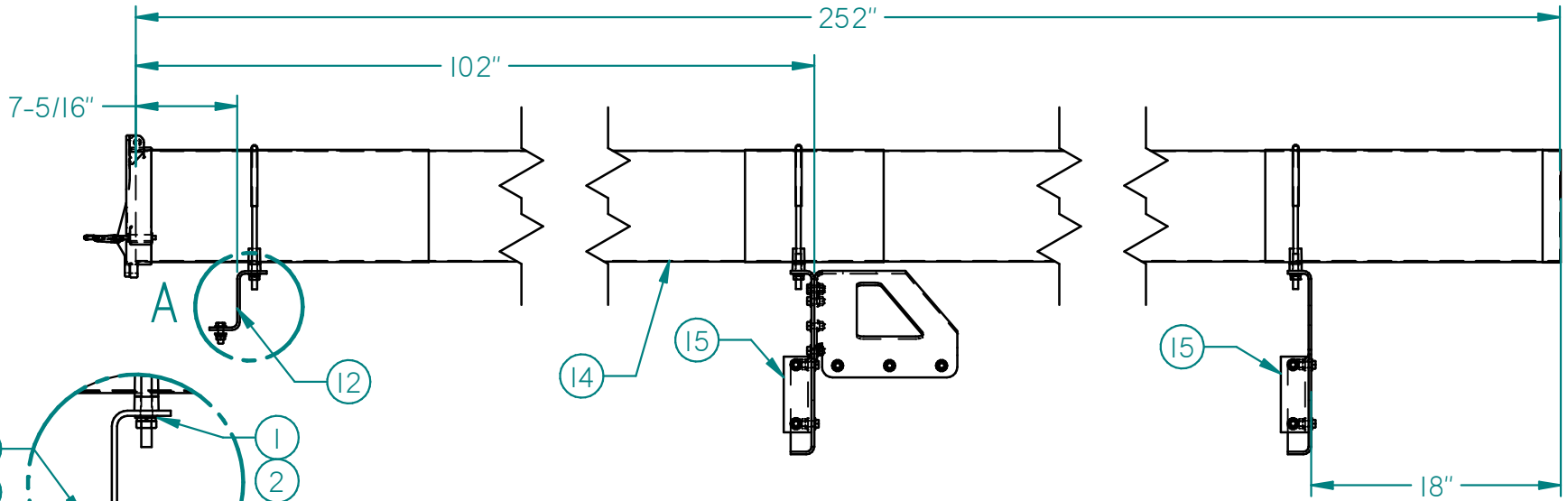
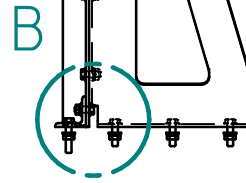
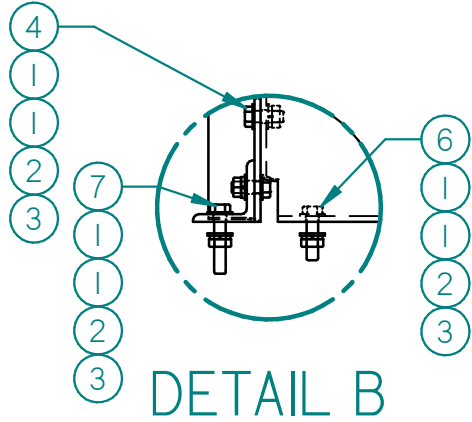
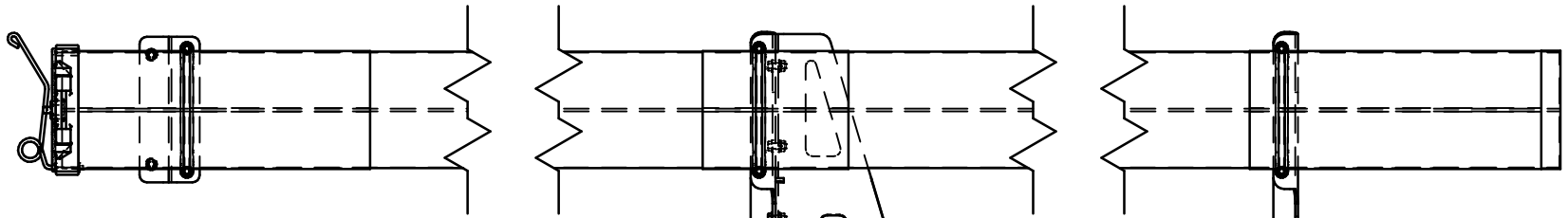
HOSE TUBE KIT, ADD ON, DS, 8" X 21" 49" TANDEM

|      |          |                        |       |        |
|------|----------|------------------------|-------|--------|
| 1    | 12/02/15 | RELEASED TO PRODUCTION | N/A   | clintb |
| REV. | DATE     | REASON FOR CHANGE      | ECN # | BY     |

DRAWN: clintb  
 WEIGHT: 62.6 lbm

DATE: 12/02/15  
 PAGE 1 OF 6

PART # : 73803004



THIS DRAWING IS THE PROPERTY OF MAC MANUFACTURING INC. AND SUBJECT TO RECALL AT ANY TIME. DUPLICATION OR DISTRIBUTION WITHOUT PERMISSION IS PROHIBITED.



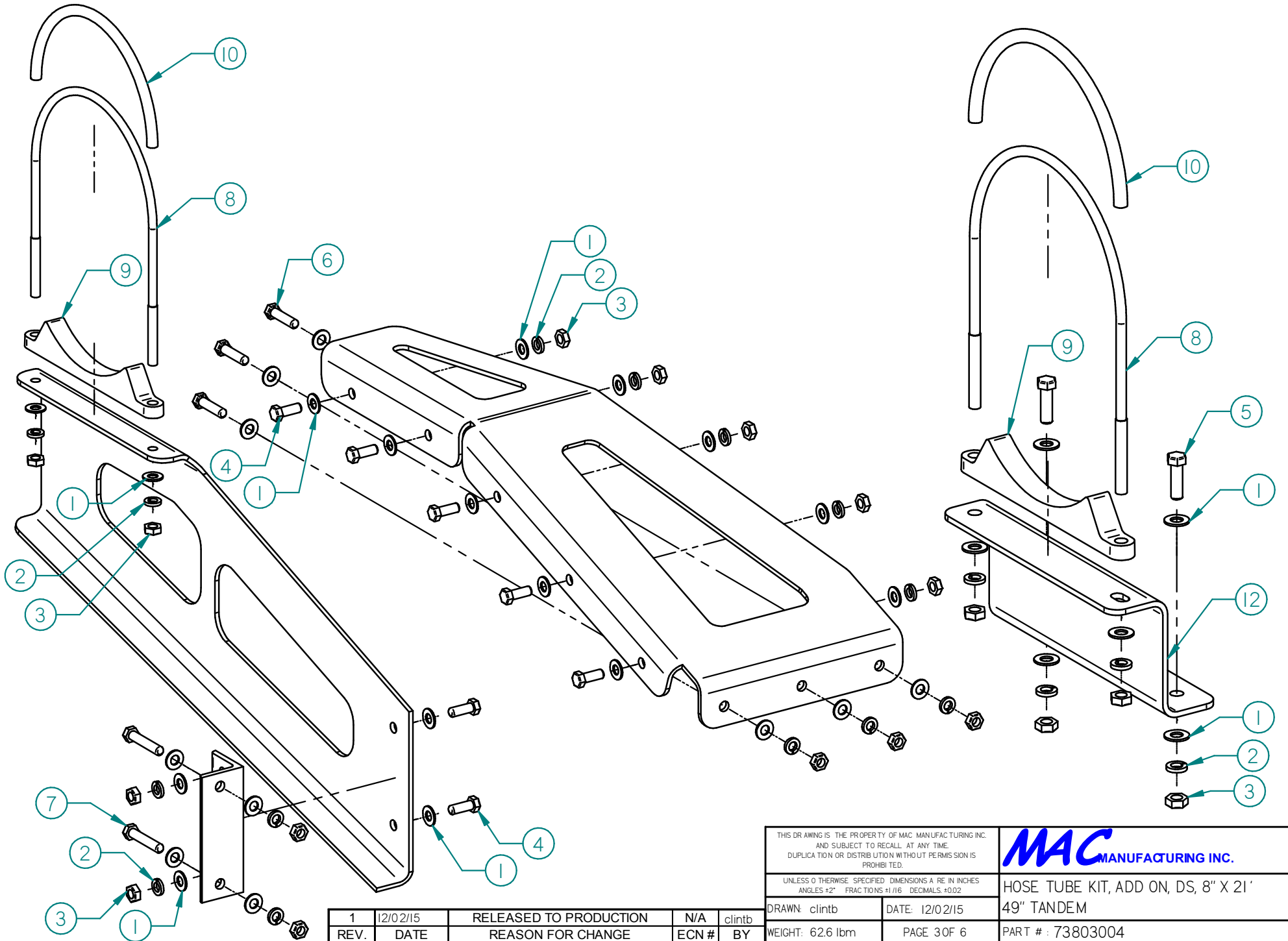
UNLESS OTHERWISE SPECIFIED DIMENSIONS ARE IN INCHES ANGLES ±2° FRACTIONS ±1/16" DECIMALS ±0.02

HOSE TUBE KIT, ADD ON, DS, 8" X 21' 49" TANDEM

|      |          |                        |       |        |
|------|----------|------------------------|-------|--------|
| 1    | 12/02/15 | RELEASED TO PRODUCTION | N/A   | clintb |
| REV. | DATE     | REASON FOR CHANGE      | ECN # | BY     |

|                  |                |
|------------------|----------------|
| DRAWN: clintb    | DATE: 12/02/15 |
| WEIGHT: 62.6 lbm | PAGE 20F 6     |

PART #: 73803004



THIS DRAWING IS THE PROPERTY OF MAC MANUFACTURING INC.  
 AND SUBJECT TO RECALL AT ANY TIME.  
 DUPLICATION OR DISTRIBUTION WITHOUT PERMISSION IS  
 PROHIBITED.



UNLESS OTHERWISE SPECIFIED DIMENSIONS ARE IN INCHES  
 ANGLES ±2° FRACTIONS ±1/16" DECIMALS ±0.02

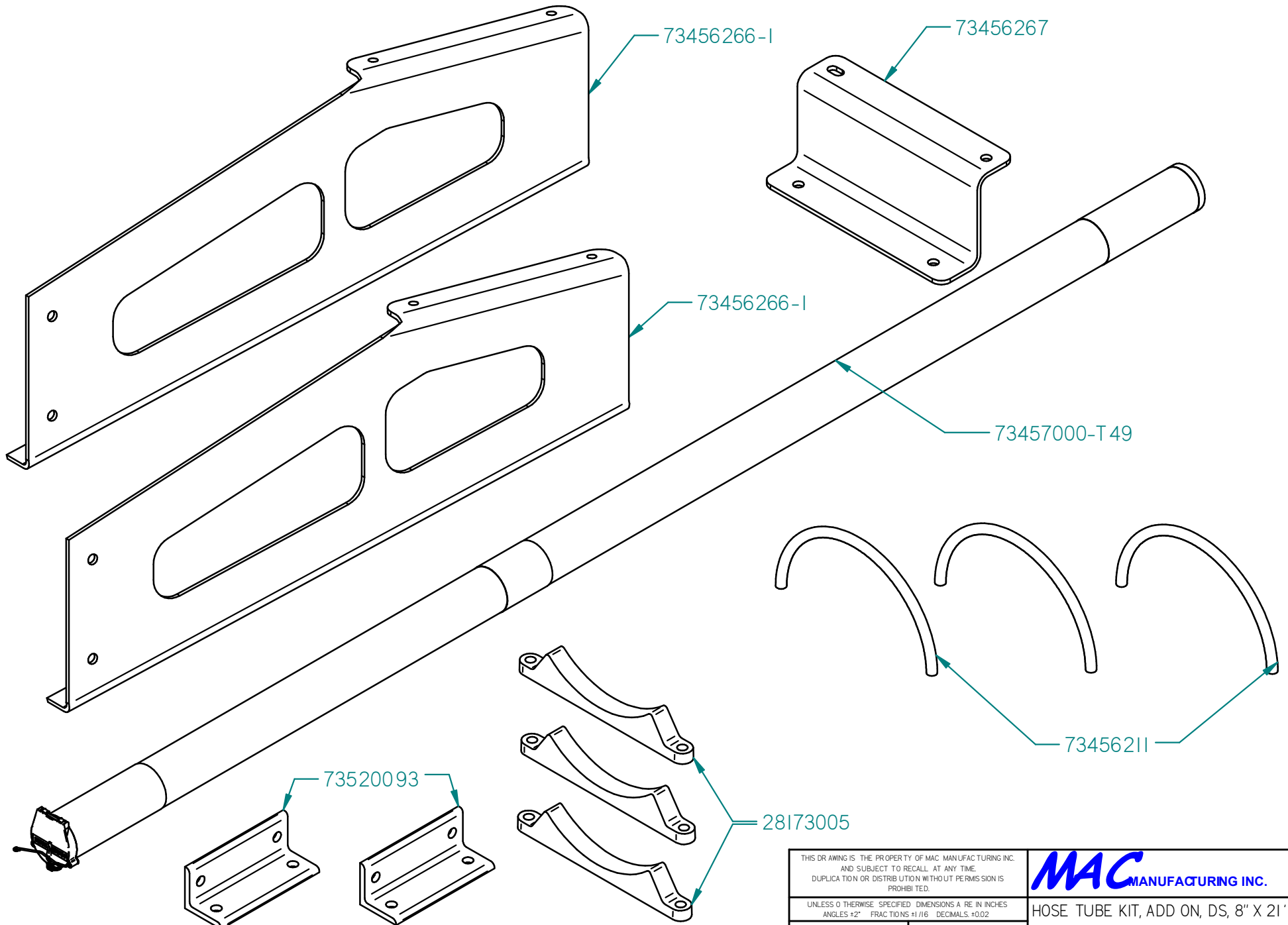
HOSE TUBE KIT, ADD ON, DS, 8" X 21'  
 49" TANDEM

DRAWN: clintb DATE: 12/02/15

PART #: 73803004

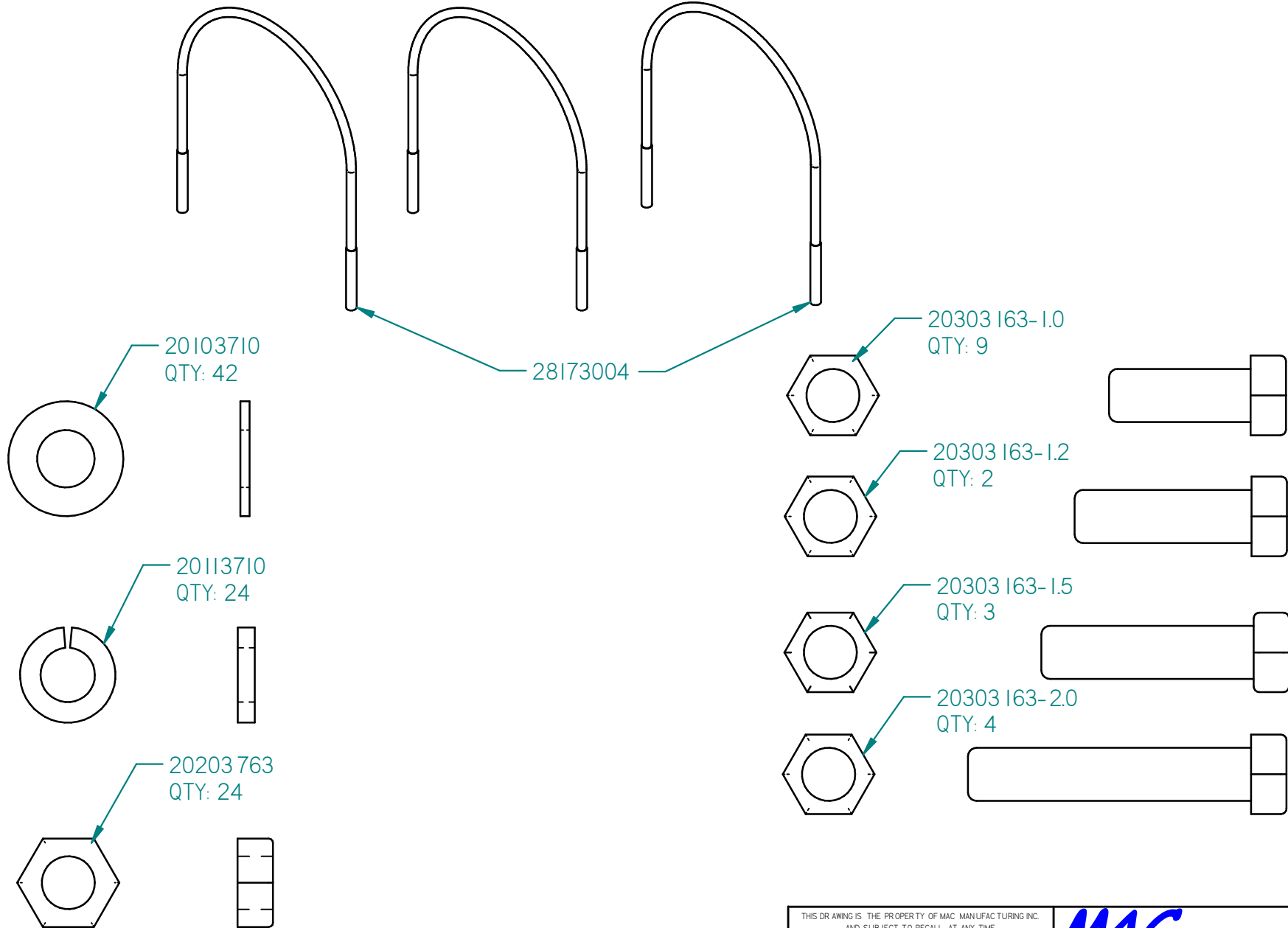
WEIGHT: 62.6 lbm PAGE 30F 6

|      |          |                        |       |        |
|------|----------|------------------------|-------|--------|
| 1    | 12/02/15 | RELEASED TO PRODUCTION | N/A   | clintb |
| REV. | DATE     | REASON FOR CHANGE      | ECN # | BY     |



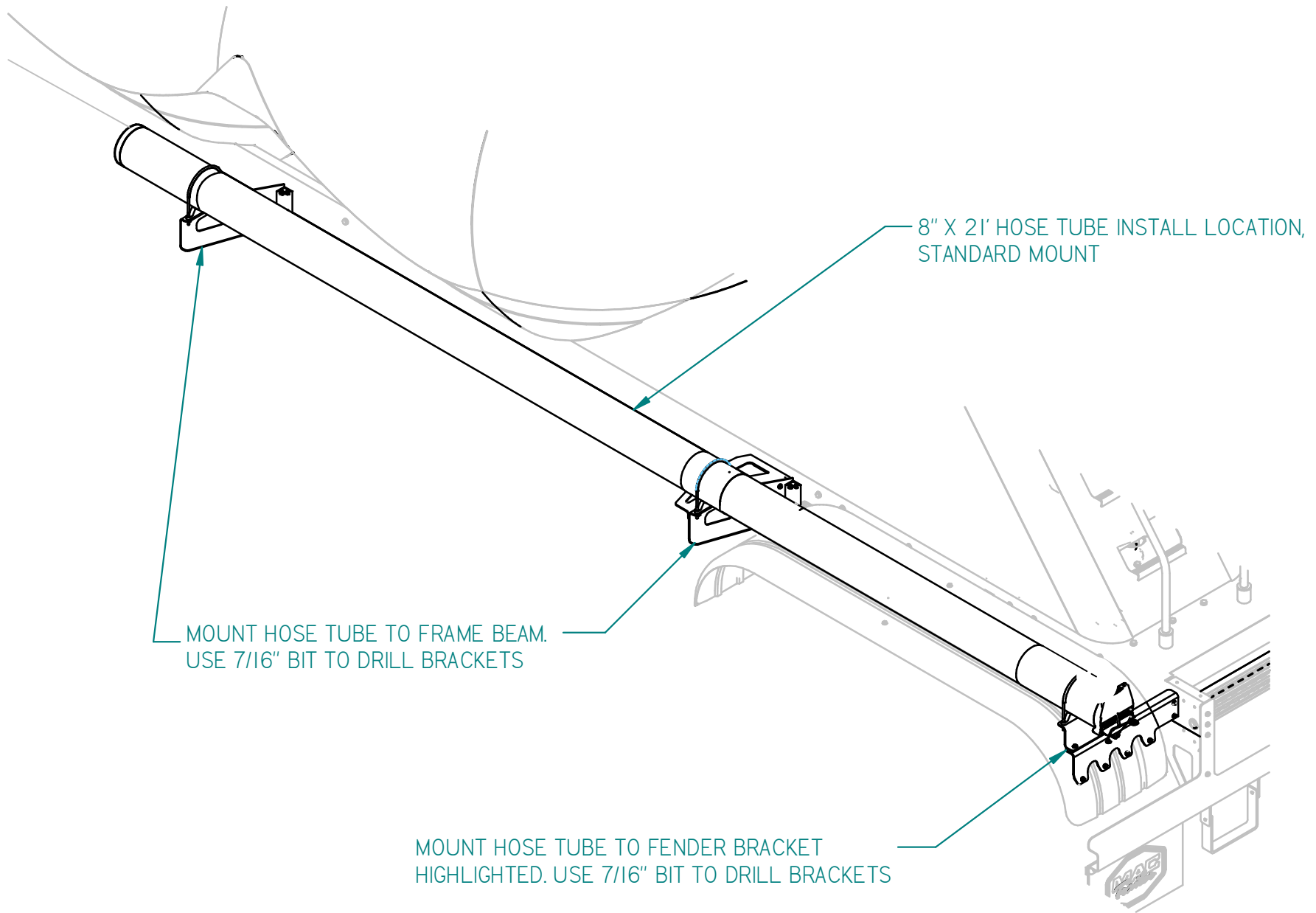
|      |          |                        |       |        |
|------|----------|------------------------|-------|--------|
| 1    | 12/02/15 | RELEASED TO PRODUCTION | N/A   | clintb |
| REV. | DATE     | REASON FOR CHANGE      | ECN # | BY     |

|  |                |  |
|--|----------------|--|
| <small>THIS DRAWING IS THE PROPERTY OF MAC MANUFACTURING INC. AND SUBJECT TO RECALL AT ANY TIME. DUPLICATION OR DISTRIBUTION WITHOUT PERMISSION IS PROHIBITED.</small> |                |  |
| <small>UNLESS OTHERWISE SPECIFIED DIMENSIONS ARE IN INCHES ANGLES ±2° FRACTIONS ±1/16 DECIMALS ±0.02</small>   |                |  |
| DRAWN: clintb  | DATE: 12/02/15 | HOSE TUBE KIT, ADD ON, DS, 8" X 21' 49" TANDEM |
| WEIGHT: 62.6 lbm   | PAGE 4 OF 6    | PART # : 73803004                              |



|   |                |  |  |
|---|----------------|--|--|
| THIS DRAWING IS THE PROPERTY OF MAC MANUFACTURING INC. AND SUBJECT TO RECALL AT ANY TIME. DUPLICATION OR DISTRIBUTION WITHOUT PERMISSION IS PROHIBITED. |                | <b>MAC</b> MANUFACTURING INC.                  |  |
| UNLESS OTHERWISE SPECIFIED DIMENSIONS ARE IN INCHES<br>ANGLES ±2° FRACTIONS ±1/16 DECIMALS ±0.02  |                | HOSE TUBE KIT, ADD ON, DS, 8" X 21' 49" TANDEM |  |
| DRAWN: clintb   | DATE: 12/02/15 | PART # : 73803004                              |  |
| WEIGHT: 62.6 lbm  | PAGE 50F 6     |  |  |

|      |          |                        |       |        |
|------|----------|------------------------|-------|--------|
| 1    | 12/02/15 | RELEASED TO PRODUCTION | N/A   | clintb |
| REV. | DATE     | REASON FOR CHANGE      | ECN # | BY     |



MOUNT HOSE TUBE TO FRAME BEAM.  
USE 7/16" BIT TO DRILL BRACKETS

8" X 21' HOSE TUBE INSTALL LOCATION,  
STANDARD MOUNT

MOUNT HOSE TUBE TO FENDER BRACKET  
HIGHLIGHTED. USE 7/16" BIT TO DRILL BRACKETS

THIS DRAWING IS THE PROPERTY OF MAC MANUFACTURING INC.  
AND SUBJECT TO RECALL AT ANY TIME.  
DUPLICATION OR DISTRIBUTION WITHOUT PERMISSION IS  
PROHIBITED.



UNLESS OTHERWISE SPECIFIED DIMENSIONS ARE IN INCHES  
ANGLES ±2° FRACTIONS ±1/16" DECIMALS ±0.02

HOSE TUBE KIT, ADD ON, DS, 8" X 21'  
49" TANDEM

|      |          |                        |       |        |
|------|----------|------------------------|-------|--------|
| 1    | 12/02/15 | RELEASED TO PRODUCTION | N/A   | clintb |
| REV. | DATE     | REASON FOR CHANGE      | ECN # | BY     |

DRAWN: clintb

DATE: 12/02/15

WEIGHT: 62.6 lbm

PAGE 60F 6

PART # : 73803004