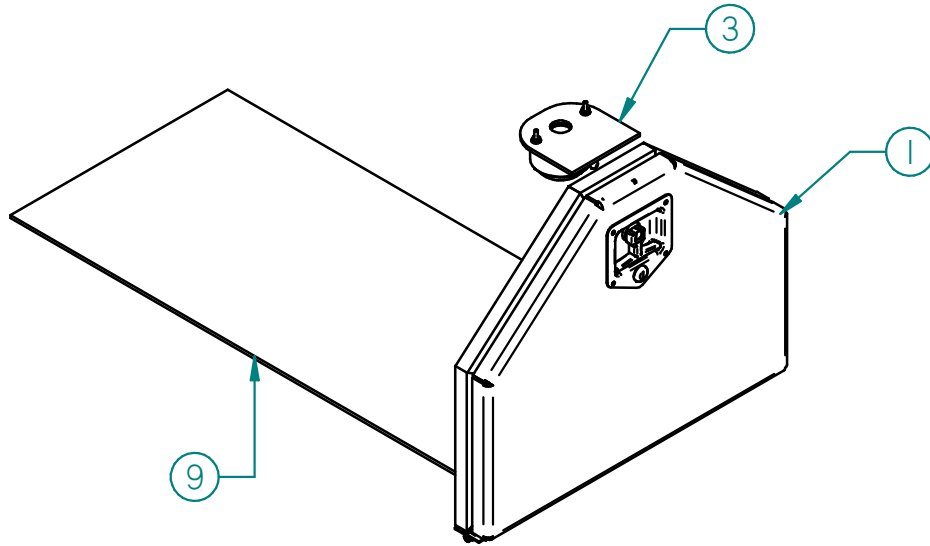
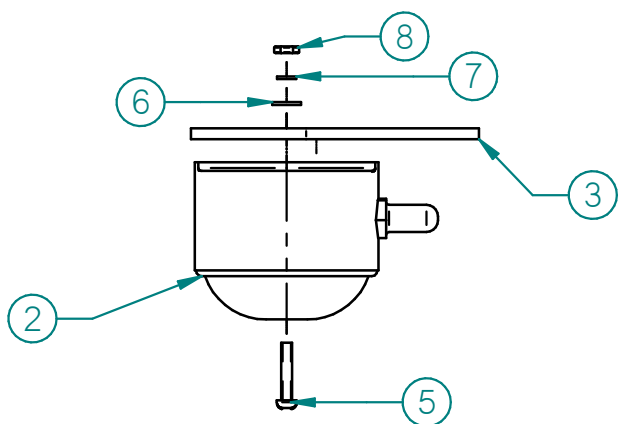


SIDE TOOL BOX KIT



ITEM	QTY.	PART No.	DESCRIPTION	WEIGHT
1	1	71600520	FILLER DOOR ASM	13.4 lbm
2	1	21000344	TOOLBOX LIGHT LED	0.0 lbm
3	1	73462006	LIGHT MOUNTING PLATE, TOOLBOX	0.4 lbm
4*	1	21191330	330" PLUG END WIRE HARNESS	0.0 lbm
5	2	20401022-1.0	SCREW, #10-24 1"	0.0 lbm
6	2	20101000	FLATWASHER, #10 SAE ZINC	0.0 lbm
7	2	20111000	LOCKWASHER, #10 ZINC	0.0 lbm
8	2	20201921	HEX NUT, #10-24 ZINC	0.0 lbm
9	1	73512968	SIDE TOOL BOX BOTTOM PLATE,	10.6 lbm



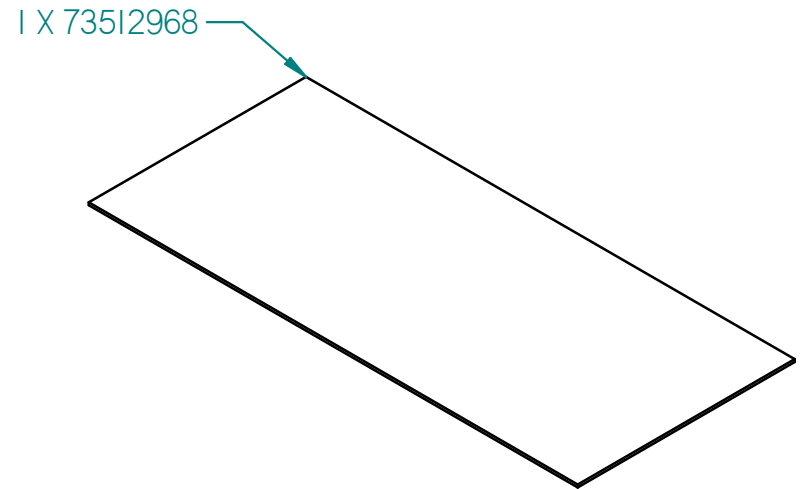
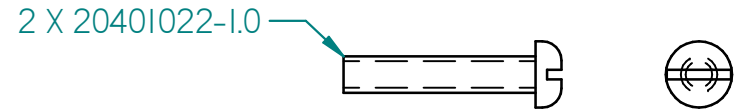
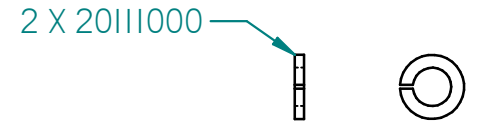
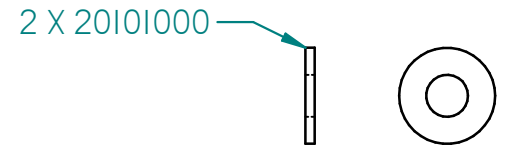
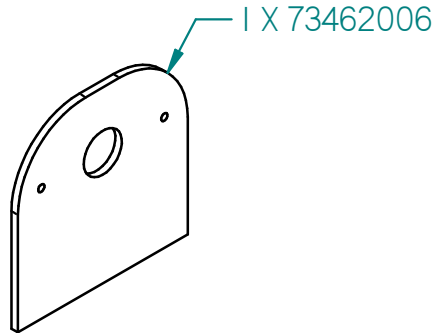
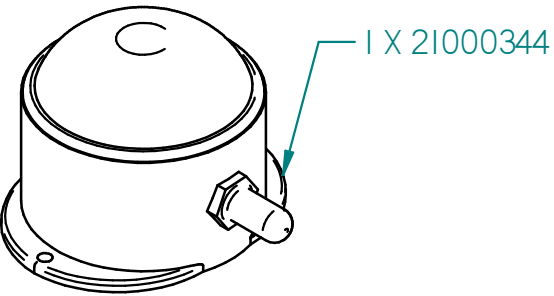
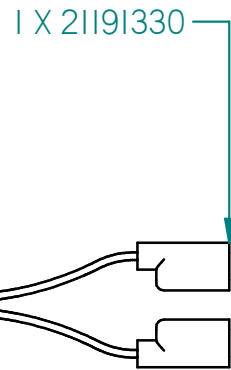
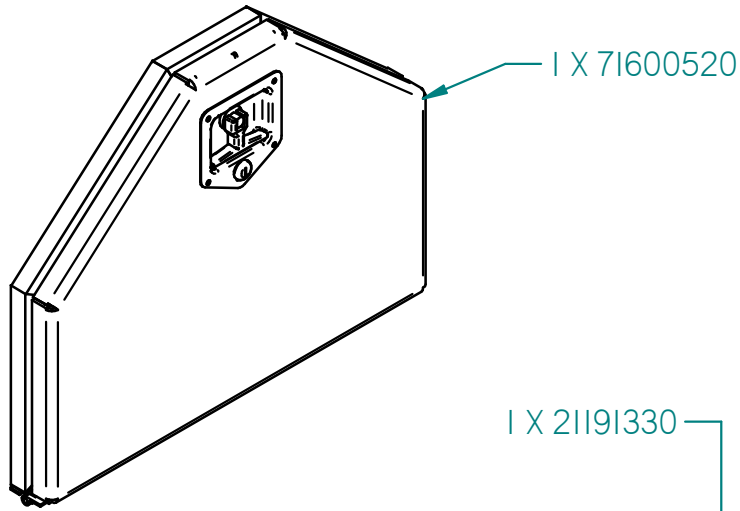
SOLID EDGE HOME USE

THIS DRAWING IS THE PROPERTY OF MAC MANUFACTURING INC. AND SUBJECT TO RECALL, AT ANY TIME. DUPLICATION OR DISTRIBUTION WITHOUT PERMISSION IS PROHIBITED.		MAC MANUFACTURING INC.	
UNLESS OTHERWISE SPECIFIED DIMENSIONS ARE IN INCHES ANGLES ±2° FRACTIONS ±1/16 DECIMALS ±0.02		SIDE TOOL BOX KIT	
DRAWN: thomasc	DATE: 12/08/15		
WEIGHT: 48.9 lbm	PAGE 1 OF 3	PART #: 73803006	

1	12/08/15	RELEASED TO PRODUCTION	N/A	thomasc
REV.	DATE	REASON FOR CHANGE	ECN #	BY

SIDE TOOL BOX KIT

PART #: 73803006



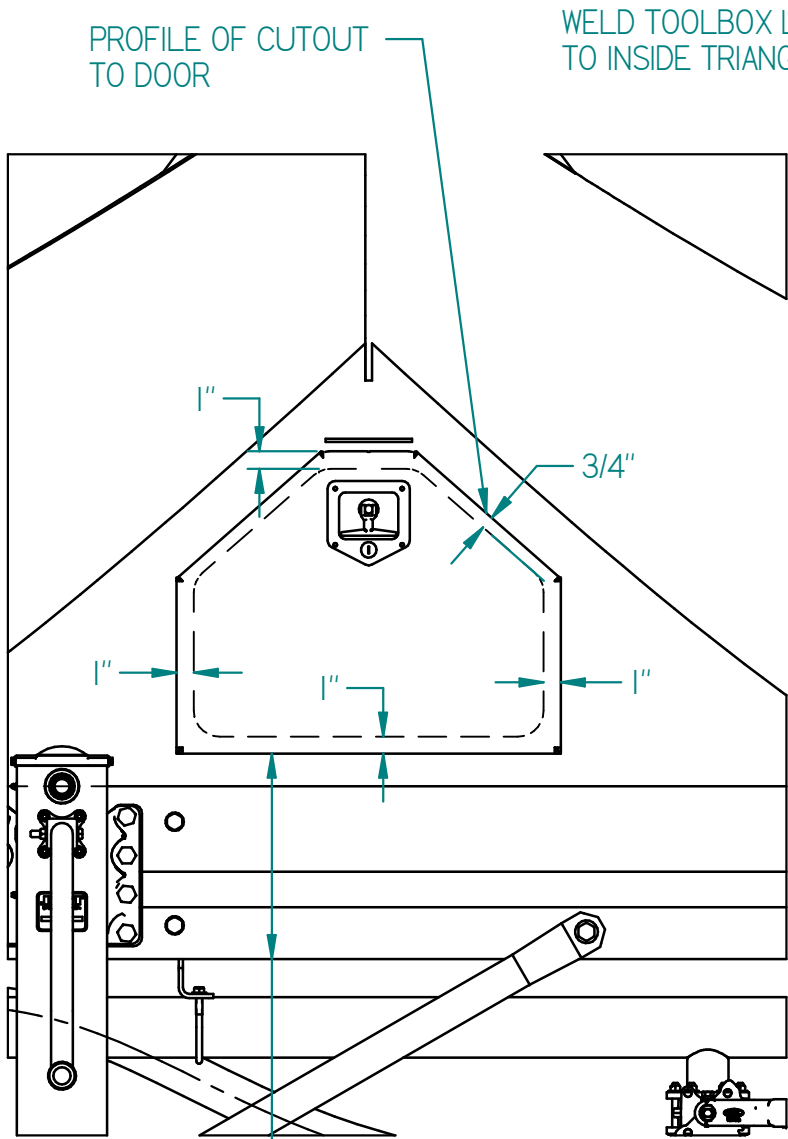
SOLID EDGE HOME USE

THIS DRAWING IS THE PROPERTY OF MAC MANUFACTURING INC. AND SUBJECT TO RECALL, AT ANY TIME. DUPLICATION OR DISTRIBUTION WITHOUT PERMISSION IS PROHIBITED.		MAC MANUFACTURING INC.	
UNLESS OTHERWISE SPECIFIED DIMENSIONS ARE IN INCHES ANGLES ±2° FRACTIONS ±1/16 DECIMALS ±0.02		SIDE TOOL BOX KIT	
DRAWN: thomasc	DATE: 12/08/15		
WEIGHT: 48.9 lbm	PAGE 2 OF 3	PART #: 73803006	

1	12/08/15	RELEASED TO PRODUCTION	N/A	thomasc
REV.	DATE	REASON FOR CHANGE	ECN #	BY

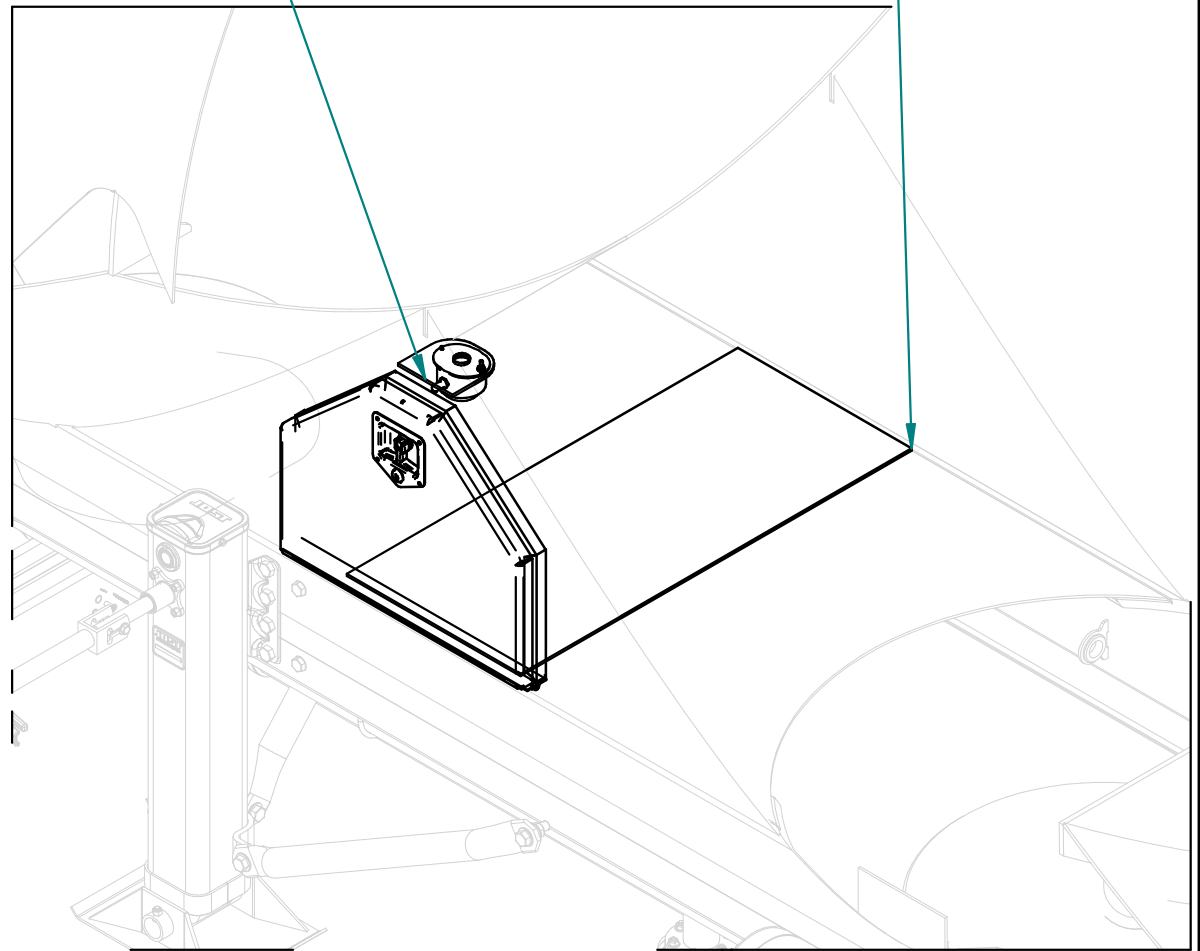
SIDE TOOL BOX KIT

PART #: 73803006



WELD TOOLBOX LIGHT BRACKET TO INSIDE TRIANGLE SUPPORT

INSTALL FILLER PLATE TO FILL GAP BETWEEN HOPPER SUPPORTS



11-7/8"
BOTTOM OF FRAME
TO BOTTOM OF DOOR

SOLID EDGE HOME USE

THIS DRAWING IS THE PROPERTY OF MAC MANUFACTURING INC.
AND SUBJECT TO RECALL AT ANY TIME.
DUPLICATION OR DISTRIBUTION WITHOUT PERMISSION IS
PROHIBITED.

MAC MANUFACTURING INC.

UNLESS OTHERWISE SPECIFIED DIMENSIONS ARE IN INCHES
ANGLES ±2° FRACTIONS +1/16" DECIMALS ±0.02

SIDE TOOL BOX KIT

1	12/08/15	RELEASED TO PRODUCTION	N/A	thomas
REV.	DATE	REASON FOR CHANGE	ECN #	BY

DRAWN: thomasc

DATE: 12/08/15

WEIGHT: 48.9 lbm

PAGE 3 OF 3

PART #: 73803006