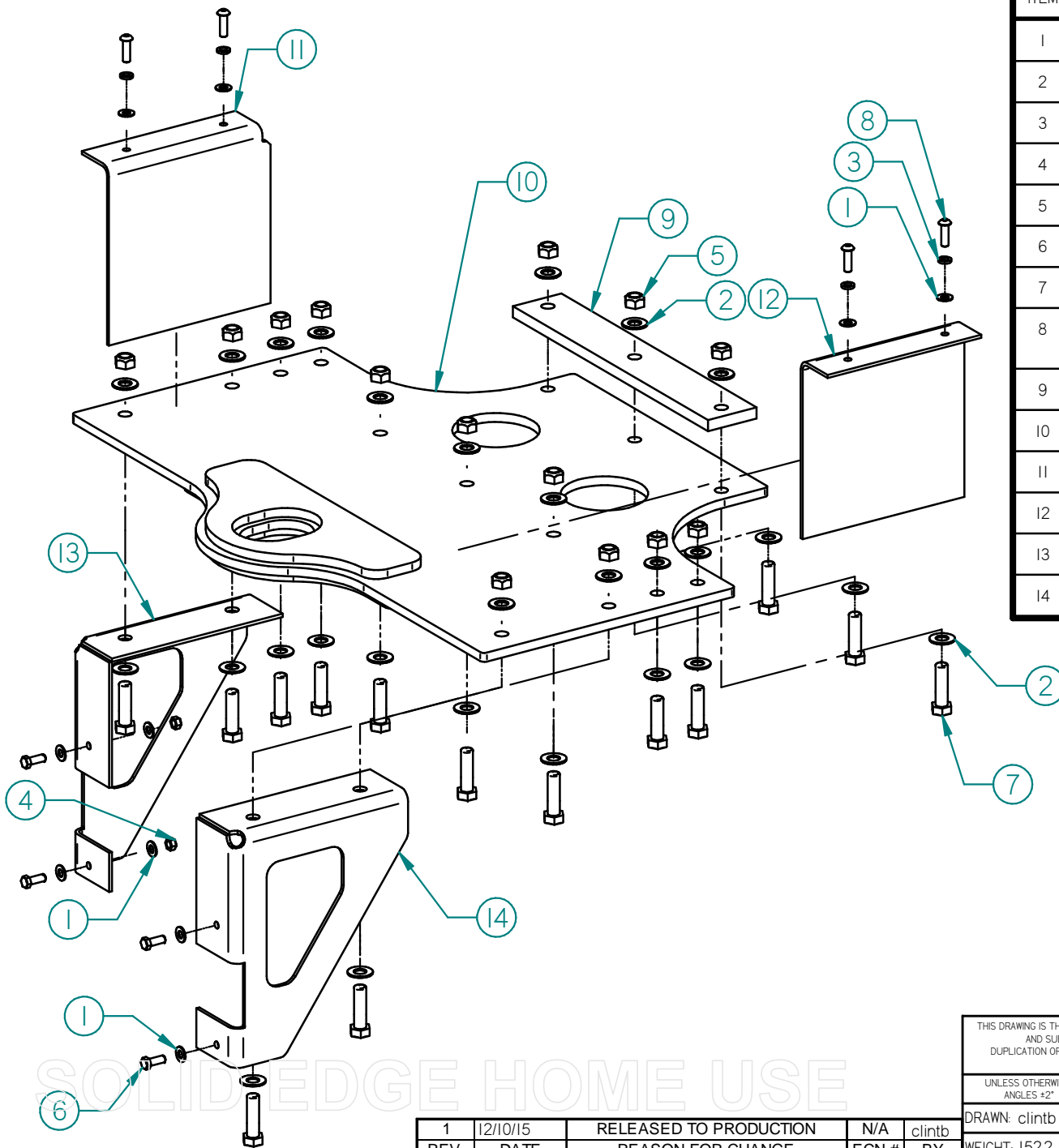


TOW PLATE ADD ON KIT, 96 WIDE, 10" BEAM



ITEM	QTY.	PART No.	DESCRIPTION	WEIGHT
1	12	20103710	WASHER, 3/8" STAINLESS	0.1 lbm
2	28	20106200	WASHER, 5/8" SAE ZINC	0.7 lbm
3	4	20113710	WASHER LOCK, 3/8" STAINLESS	0.0 lbm
4	4	20213168	LOCKNUT, 3/8-16 GR 8	0.1 lbm
5	14	20216188	LOCK NUT, 5/8-18 GRADE 8	1.0 lbm
6	4	20303163-1.0	HHCS, 3/8-16 X 1" STAINLESS	0.2 lbm
7	14	20306180-2.2	HHCS, 5/8-18 X 2-1/4" GR 8 ZNC	4.0 lbm
8	4	20401375-1.2	BUTTON HEAD SCS 3/8-16 X 1.25" STAINLESS STEEL	0.2 lbm
9	1	73512112	tow plate shim, 96 wide	3.2 lbm
10	1	73512145	TOW PLATE ASSEMBLY, TANKER REAR	134.2 lbm
11	1	73528005	REAR STEP SIDE CAP, TOW HOOK DS	2.0 lbm
12	1	73528006	REAR STEP SIDE CAP, TOW HOOK PS	2.0 lbm
13	1	73528021	BRKT, BUMPER MTG, TANK D.S.	2.4 lbm
14	1	73528022	BRKT, BUMPER MTG, TANK P.S.	2.4 lbm

SOLID EDGE HOME USE

1	12/10/15	RELEASED TO PRODUCTION	N/A	clintb
REV.	DATE	REASON FOR CHANGE	ECN #	BY

THIS DRAWING IS THE PROPERTY OF MAC MANUFACTURING INC. AND SUBJECT TO RECALL AT ANY TIME. DUPLICATION OR DISTRIBUTION WITHOUT PERMISSION IS PROHIBITED.	
UNLESS OTHERWISE SPECIFIED DIMENSIONS ARE IN INCHES ANGLES ±2° FRACTIONS ±1/16" DECIMALS ±0.02	
DRAWN: clintb	DATE: 12/10/15
WEIGHT: 152.2 lbm	PAGE 1 OF 3

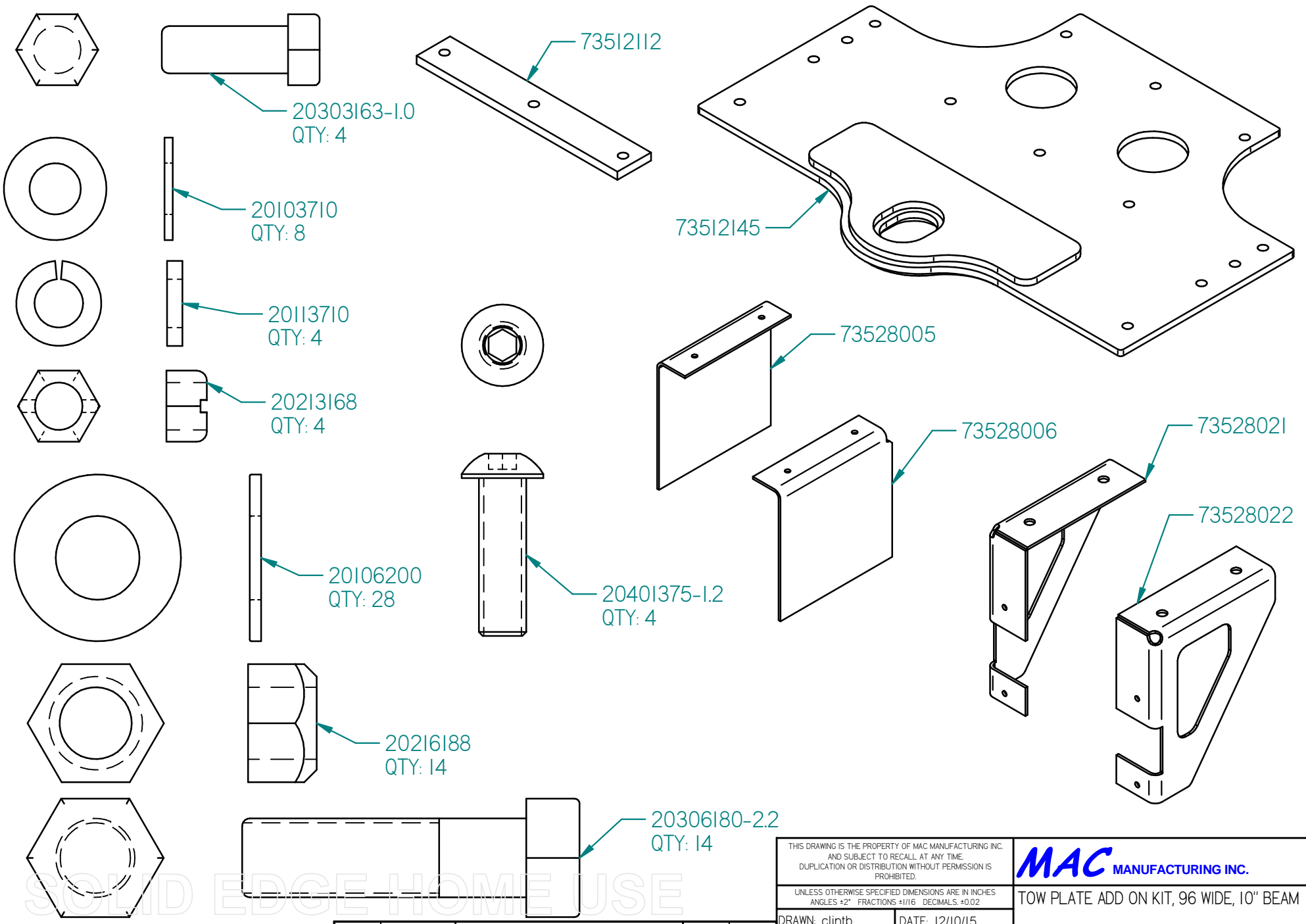
MAC MANUFACTURING INC.

TOW PLATE ADD ON KIT, 96 WIDE, 10" BEAM

PART #: 73803007

TOW PLATE ADD ON KIT, 96 WIDE, 10" BEAM

PART #: 73803007



SOLID EDGE HOME USE

THIS DRAWING IS THE PROPERTY OF MAC MANUFACTURING INC. AND SUBJECT TO RECALL, AT ANY TIME. DUPLICATION OR DISTRIBUTION WITHOUT PERMISSION IS PROHIBITED.		MAC MANUFACTURING INC.
UNLESS OTHERWISE SPECIFIED DIMENSIONS ARE IN INCHES ANGLES ±2° FRACTIONS +1/16" DECIMALS: ±0.02		
DRAWN: clintb	DATE: 12/10/15	TOW PLATE ADD ON KIT, 96 WIDE, 10" BEAM
WEIGHT: 152.2 lbm	PAGE 2 OF 3	
PART #: 73803007		

1	12/10/15	RELEASED TO PRODUCTION	N/A	clintb
REV.	DATE	REASON FOR CHANGE	ECN #	BY

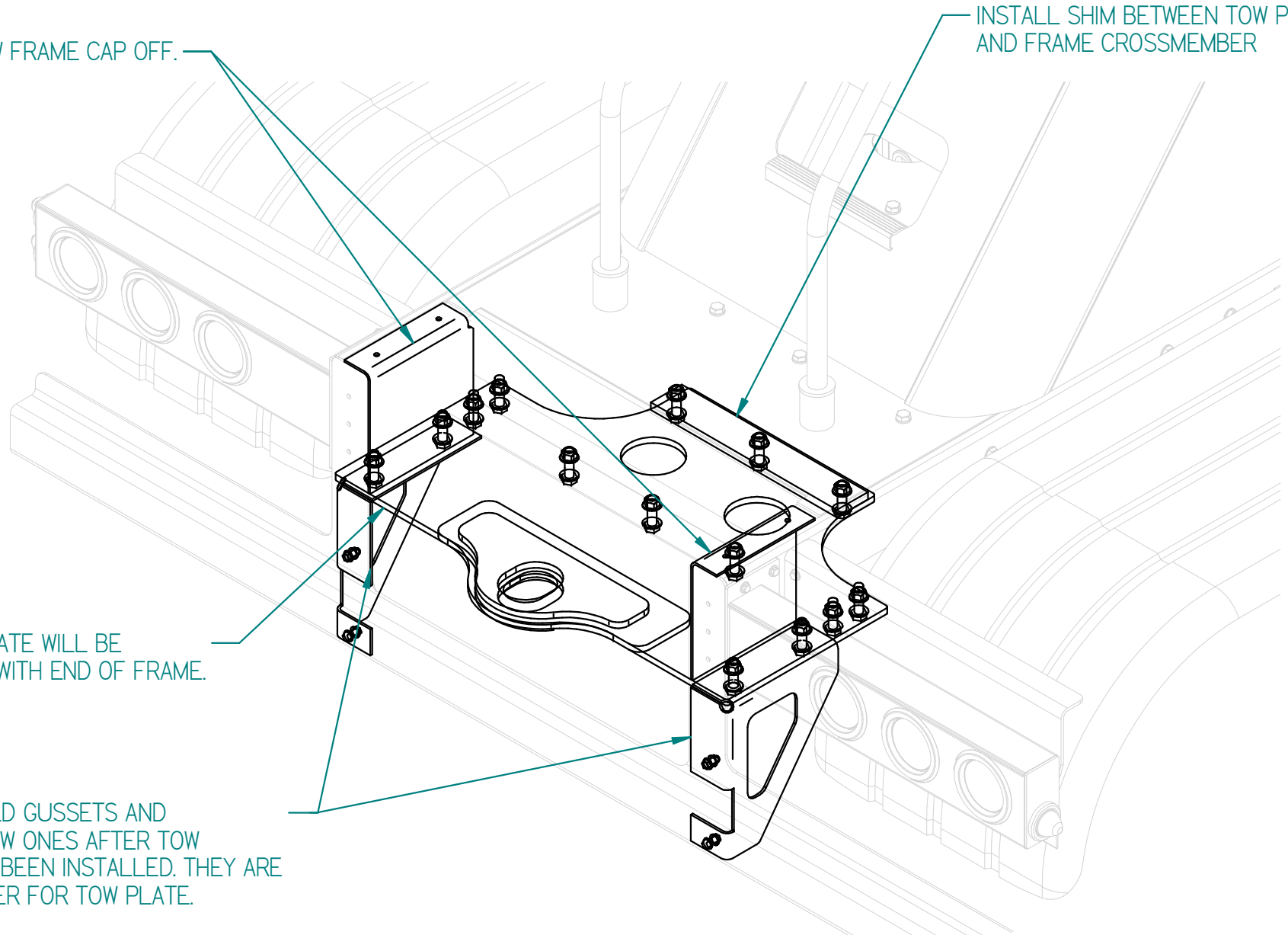
TOW PLATE ADD ON KIT, 96 WIDE, 10" BEAM

INSTALL NEW FRAME CAP OFF.

INSTALL SHIM BETWEEN TOW PLATE AND FRAME CROSSMEMBER

TOW PLATE WILL BE FLUSH WITH END OF FRAME.

REMOVE OLD GUSSETS AND INSTALL NEW ONES AFTER TOW PLATE HAS BEEN INSTALLED. THEY ARE 1/2" SHORTER FOR TOW PLATE.



SOLID EDGE HOME USE

THIS DRAWING IS THE PROPERTY OF MAC MANUFACTURING INC. AND SUBJECT TO RECALL, AT ANY TIME. DUPLICATION OR DISTRIBUTION WITHOUT PERMISSION IS PROHIBITED.

MAC MANUFACTURING INC.

UNLESS OTHERWISE SPECIFIED DIMENSIONS ARE IN INCHES ANGLES ±2° FRACTIONS ±1/16 DECIMALS ±0.02

TOW PLATE ADD ON KIT, 96 WIDE, 10" BEAM

1	12/10/15	RELEASED TO PRODUCTION	N/A	clintb
REV.	DATE	REASON FOR CHANGE	ECN #	BY

DRAWN: clintb	DATE: 12/10/15
WEIGHT: 152.2 lbm	PAGE 3 OF 3

PART #: 73803007