



Xtender

Flatbed Trailers

World's First All Aluminum Extendable Flatbed Trailer



MAC XTENDER

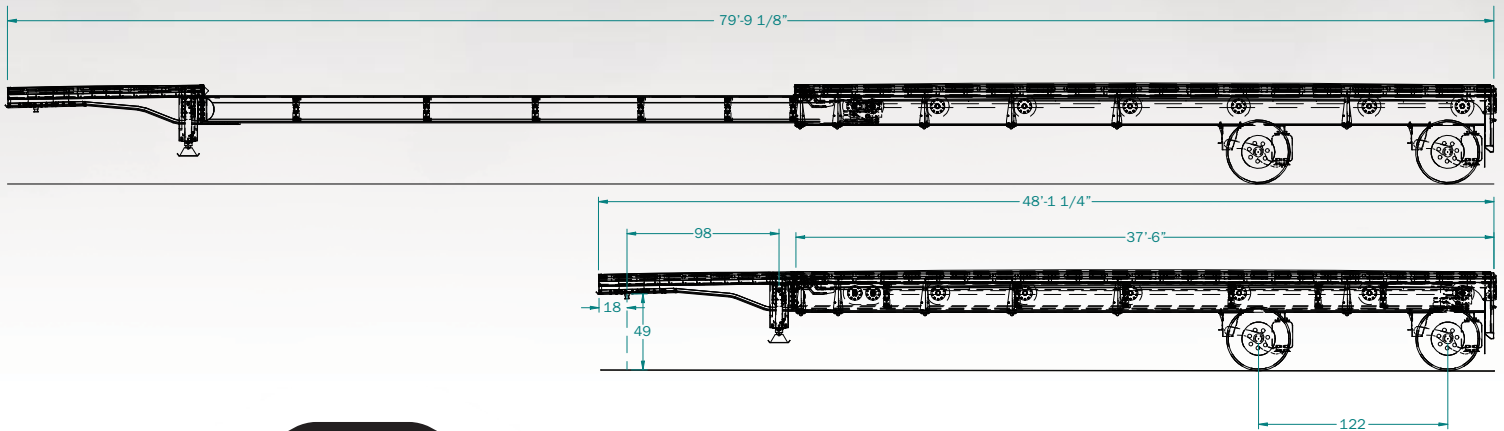
Capacity Ratings

- 48 ft.: 4 ft. 60,000#; 6 ft. 62,000#; 10 ft. 65,000#; 20 ft. 70,000#; 48 ft. 90,000#
- 53 ft.: 60,000#
- 60 ft.: 50,000#
- 66 ft.: 70,000# self supported load only.
- 72 ft.: 70,000# self supported load only.
- 76 ft.: 70,000# self supported load only.
- 80 ft.: 70,000# self supported load only.



Standard Features

- (7) Available length positions: 48', 53', 60' at normal capacities. 66', 72', 76' and 80' self supporting loads only. (Optional 53' to 88' now available)
- Extruded aluminum extreme duty male and female beams.
- MAC's unique beam slide system allows beams to adjust on rollers to proper position. Rollers then retract allowing a beam to beam surface when supporting the load.
- Aluminum upper coupler reinforcement eliminates corrosion and lengthens life of steel coupler plate.
- D.O.T. extruded unitized rear bumper assembly with center filler plate and (2) cast steps.
- 1-1/4" extruded hollow core decking with (2) apitong nailers positioned along the side rail.
- (STD.) 18" cross member spacing with optional 16", 14" and 12" available.
- Pockets on 24" centers spaced from rear with (2) spools between pockets.
- Double "L" winch track on driverside with tie bar on curbside.
- Grote "Ultra" wiring system with L.E.D. lights. Wiring and air lines designed to properly extend and retract with chosen trailer length. (5) markers per side.
- Suspension: INTRAXX AANT-230 with soft coat paint and hot dipped galvanized suspension hangers.
- (STD) suspension axle spacing: 122". Options: single axle slide, tandem axle slide or multiple axles.
- 4S / 2M WABCO ABS System.
- Extended Service Brake Lining.
- 22.5 14-ply radial tires mounted on 22.5 x 8.25 mill finish aluminum wheels.
- Centrifuse drums and duralite hubs with oil bath "TP" bearings.
- "JOST-Magnum" 2-speed landing gear, includes 62.5k lift capacity, no lube feature with 5-year warranty.



Dealer

Salem Facility
1453 Allen Road
Salem, Ohio 44460

**Alliance Facility
Corporate Offices**
14599 Commerce Street
Alliance, Ohio 44601

800-795-8454
330-823-9900
fax **330-823-0232**
www.MACtrailer.com